

## M501M Monitor Module

### Specifications

Nominal Operating Voltage:	15-32 VDC
EOL resistance:	47K Ohms
Maximum IDC wiring resistance:	40 Ohms
Temperature Range:	32° to 120° F (0° to 49° C)
Humidity:	10 to 93% noncondensing
Dimensions:	1.3" H x 2.75" W x 0.5" D
Wire length:	6" minimum

### Before Installing

This information is included as a quick reference installation guide. Refer to the control panel installation manual for detailed system information. If the modules will be installed in an existing operational system, inform the operator and local authority that the system will be temporarily out of service. Disconnect power to the control panel before installing the modules.

**NOTICE:** This manual should be left with the owner/user of this equipment.

### General Description

The M501M monitor module can be installed in a single gang junction box directly behind the monitored unit. Its small size and light weight allow it to be installed without rigid mounting (see Figure 1). The M501M is intended for use in intelligent, two-wire systems where the individual address of each module is selected using rotary decade switches. It provides a two-wire initiating circuit for normally open contact fire alarm and security devices.

### Compatibility Requirements

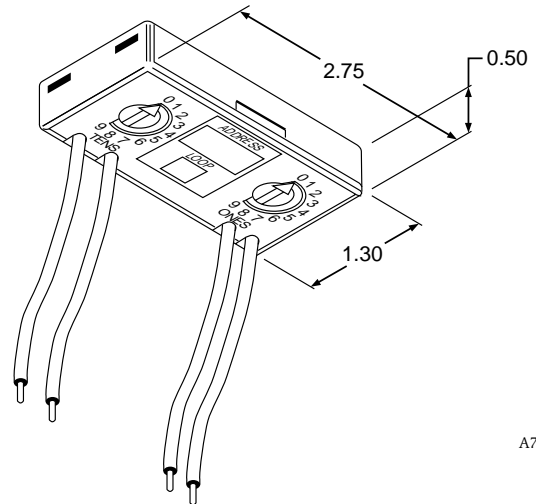
To ensure proper operation, this module should only be connected to a compatible control panel.

### Mounting and Wiring

**NOTE:** This module is intended to be wired and mounted without rigid connections inside a standard electrical box. All wiring must conform to applicable local codes, ordinances, and regulations.

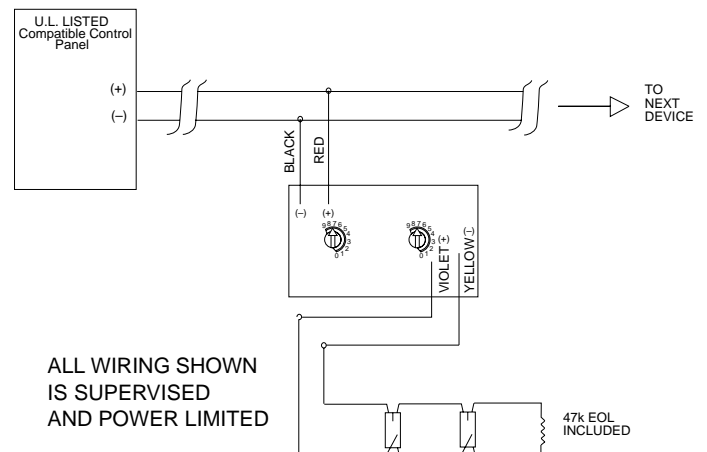
1. Connect the red (+) and black (-) wires to the positive and negative loop power leads of the signaling line circuit.
2. Connect the violet (+) and yellow (-) wires to a two-wire, normally open initiating loop.
3. Install the specified EOL resistor value to terminate the initiating loop.
4. Set the address on the module per job drawings.
5. Install the module in the desired mounting location.

Figure 1:



A78-1712-06

Figure 2. Typical 2-wire style B initiating circuit configuration:



A78-1937-06