

Ordering Information

Innovair™:

DH100LP	2-Wire Photoelectric Duct Smoke Detector with Low-Flow Technology
DH100ACDCLP	4-Wire Photoelectric Duct Smoke Detector with Low-Flow Technology
DH100ACDCI	4-Wire Ionization Duct Smoke Detector

Special Solutions:

DH400ACDCIHT	4-Wire Ionization High Temperature Duct Smoke Detector
DH400ACDCIHT-1	NEMA-3R Rated Metal Enclosure for DH400ACDCIHT Series High Temperature Duct Smoke Detector for Outdoor Installations
2451	Photoelectronic Plug-in Detector
B404B	120 VAC Base for 2451 Detector
B404BT	24 VAC/DC Base for 2451 Detector
RTC	Remote Test Coil Kit

Accessories:

ST-1.5	Metal Sampling Tube, Duct Widths 1'-2'
ST-3	Metal Sampling Tube, Duct Widths 2'-4'
ST-5	Metal Sampling Tube, Duct Widths 4'-8'
ST-10	Metal Sampling Tube, Duct Widths 8'-12'
A2440-00	Exhaust Tube Extension
RTS451KEY	Remote Test Station with Key Lock, UL Listed
RTS451	Remote Test Station, UL Listed
APA451	Piezo Annunciator, UL Listed
RA400Z	Remote Annunciator Alarm LED, UL Listed
PA400B	Mini-Alert Sounder, UL Listed
PS24LOB	Mini-Alert Add-on Strobe, UL Listed, use with PA400 and SSK451
PS12/24SLENSW	Smoke Lens Wall Mount, UL listed for use with PS24LOB
PS12/24SLENSC	Smoke Lens Ceiling Mount, UL listed for use with PS24LOB
MOD400R	Sensitivity Test Module, UL Listed
SSK451	Multi-Signaling Accessory

Replacement Components:

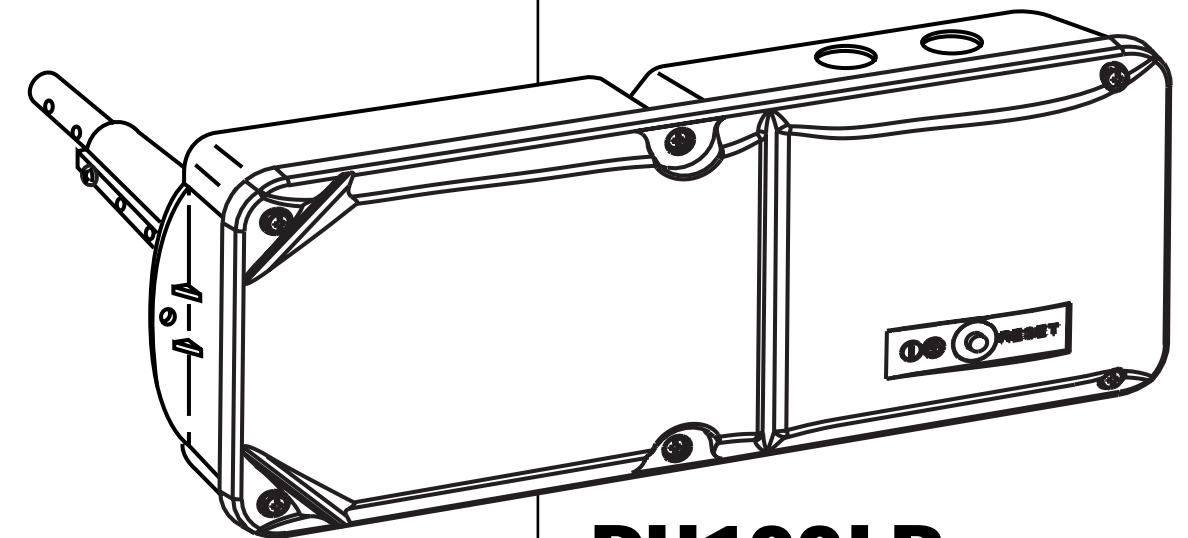
A5052-00	Replacement Ionization Sensor Board
A5069-00	Replacement Photoelectronic Sensor Board
A5064-00	Replacement 4-Wire Power Board
A5061-00	Replacement 2-Wire Power Board
T80-71-00	Replacement Plastic Sampling Tube
P48-55-00	Replacement Endcap for Plastic Sampling Tube
P48-21-00	Replacement Endcap for Metal Sampling Tube
MO2-04-00	Replacement Test Magnet
S08-39-01	Replacement Photo Insect Screen



An ISO 9001 Certified Company
 3825 Ohio Avenue
 St. Charles, IL 60174
 Toll Free: 1-800-SENSOR2 (736-7672) Fax: 630-377-6495
 www.systemsensor.com



Quick Start Guide



DH100LP Duct Smoke Detector with Low-Flow Technology

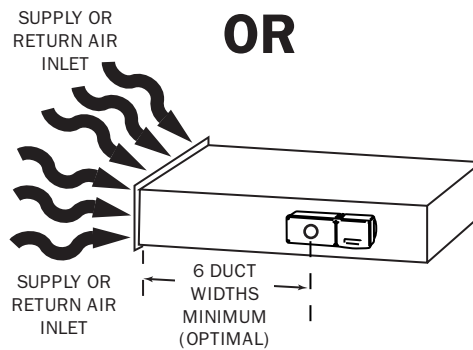
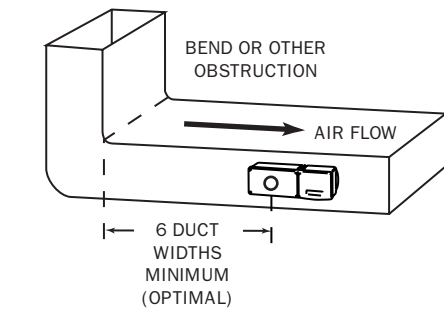
Quick Start Installation Guide*

DH100 Duct Smoke Detectors

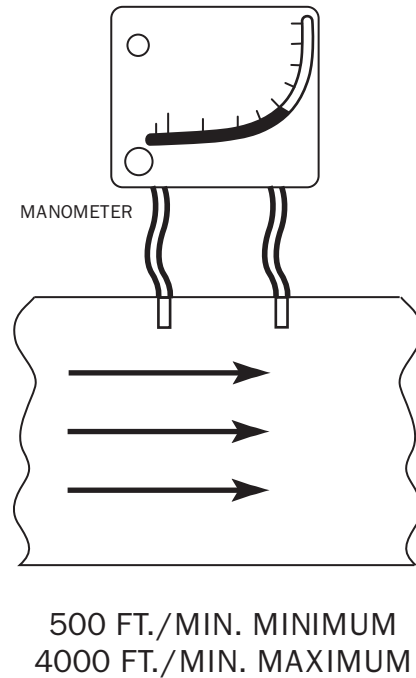
For Ducts 18" or Smaller

*Please refer to manual for complete installation instructions.

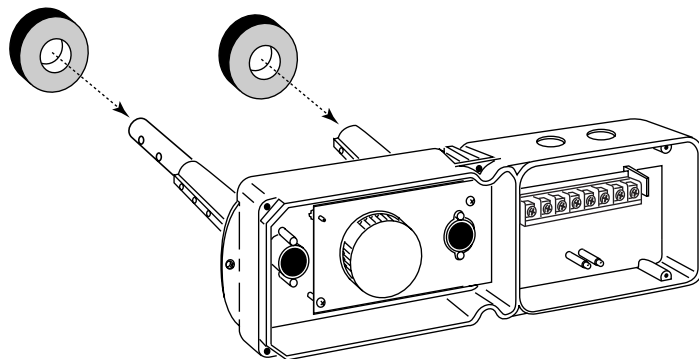
1 Location



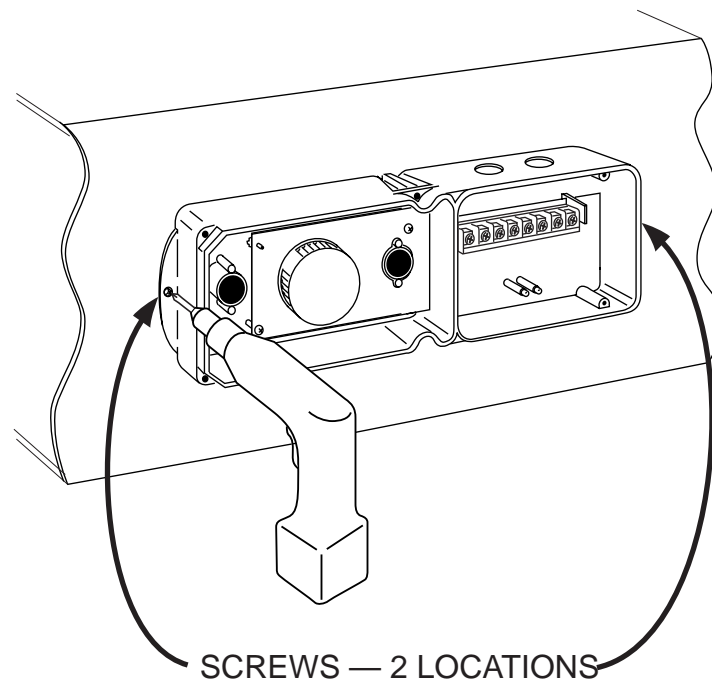
2 Verify Air Flow & Direction



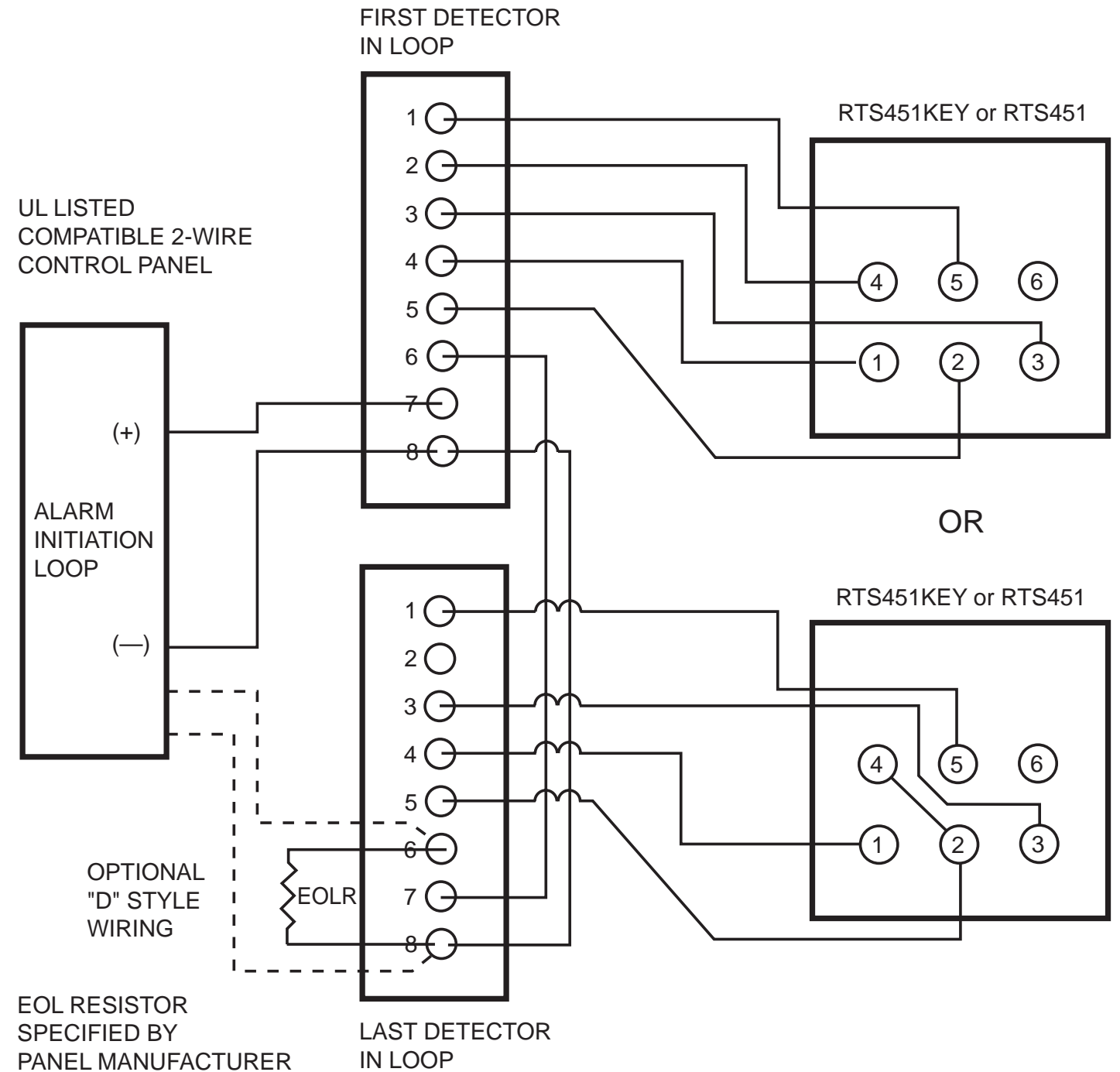
6 Gaskets



7 Mount Detector



2-Wire to Panel and RTS451KEY or RTS451



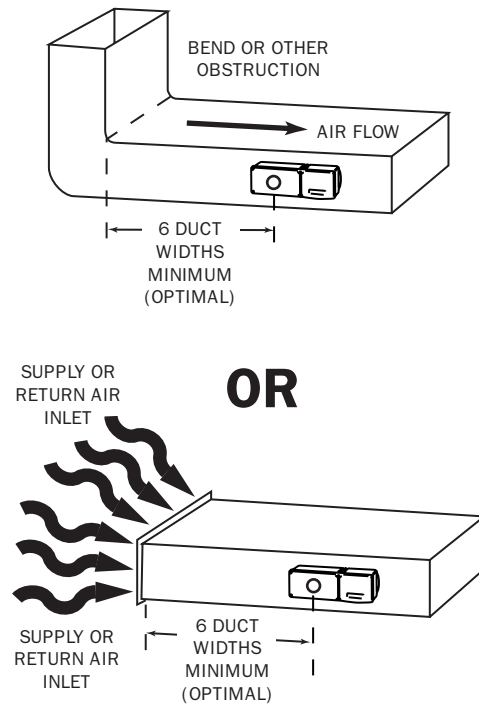
Quick Start Installation Guide*

DH100 Duct Smoke Detectors

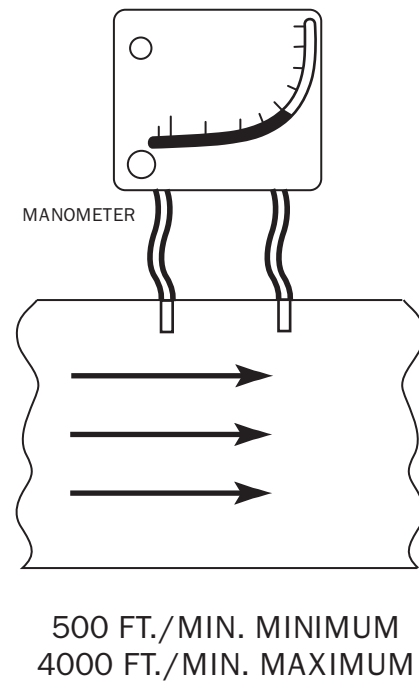
**For Ducts
Wider than 18"**

*Please refer to manual
for complete
installation instructions.

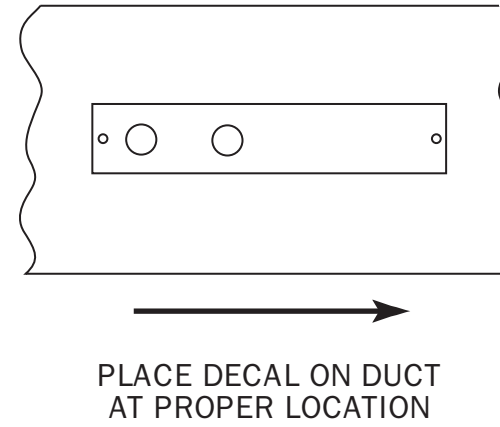
1 Location



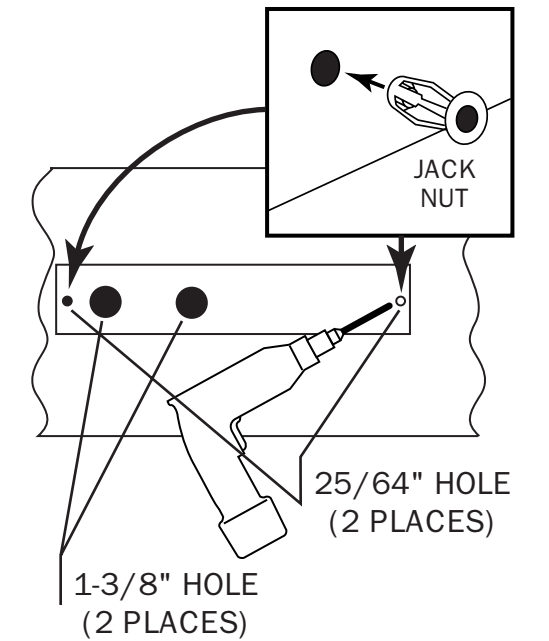
2 Verify Air Flow & Direction



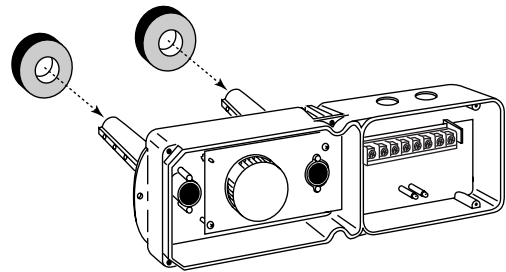
3 Template



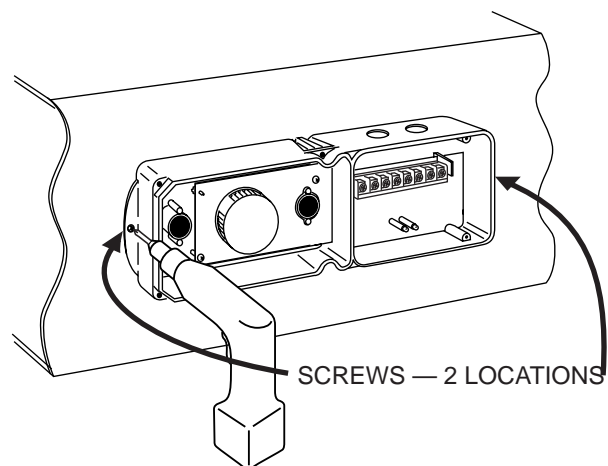
4 Drill Holes/ Punch Holes



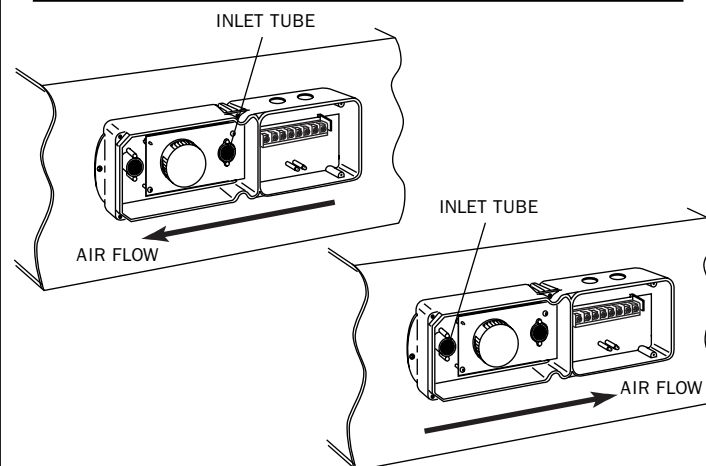
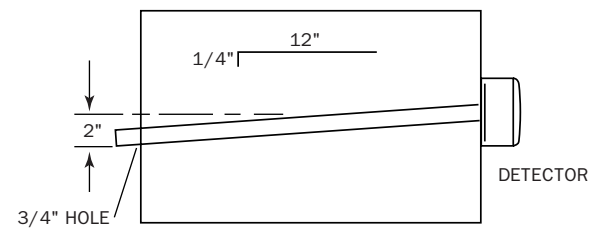
5 Gaskets



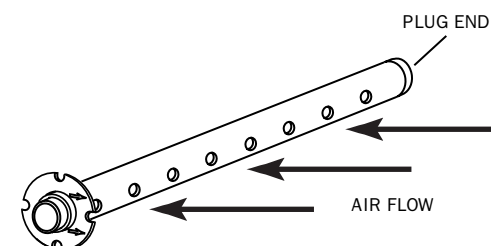
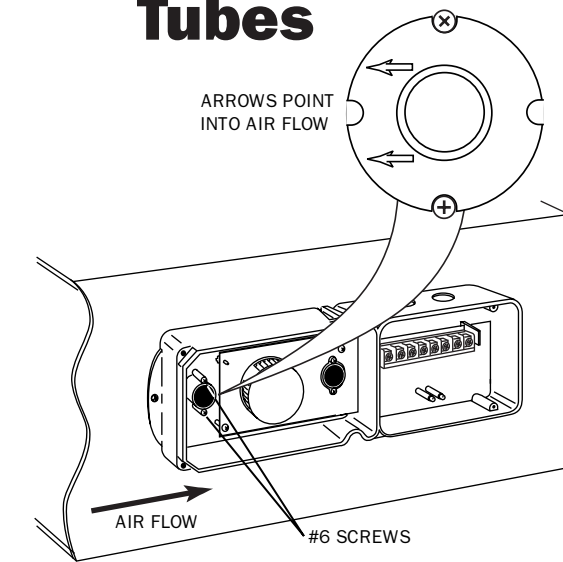
6 Mount Detector



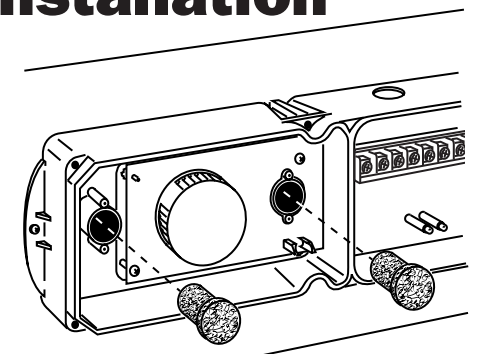
7 Inlet Sampling Tube Support (Duct > 3 ft.)



8 Mount Sampling Tubes

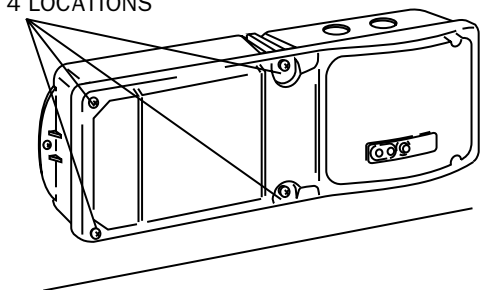


9 Filter Installation



10 Cover Replacement

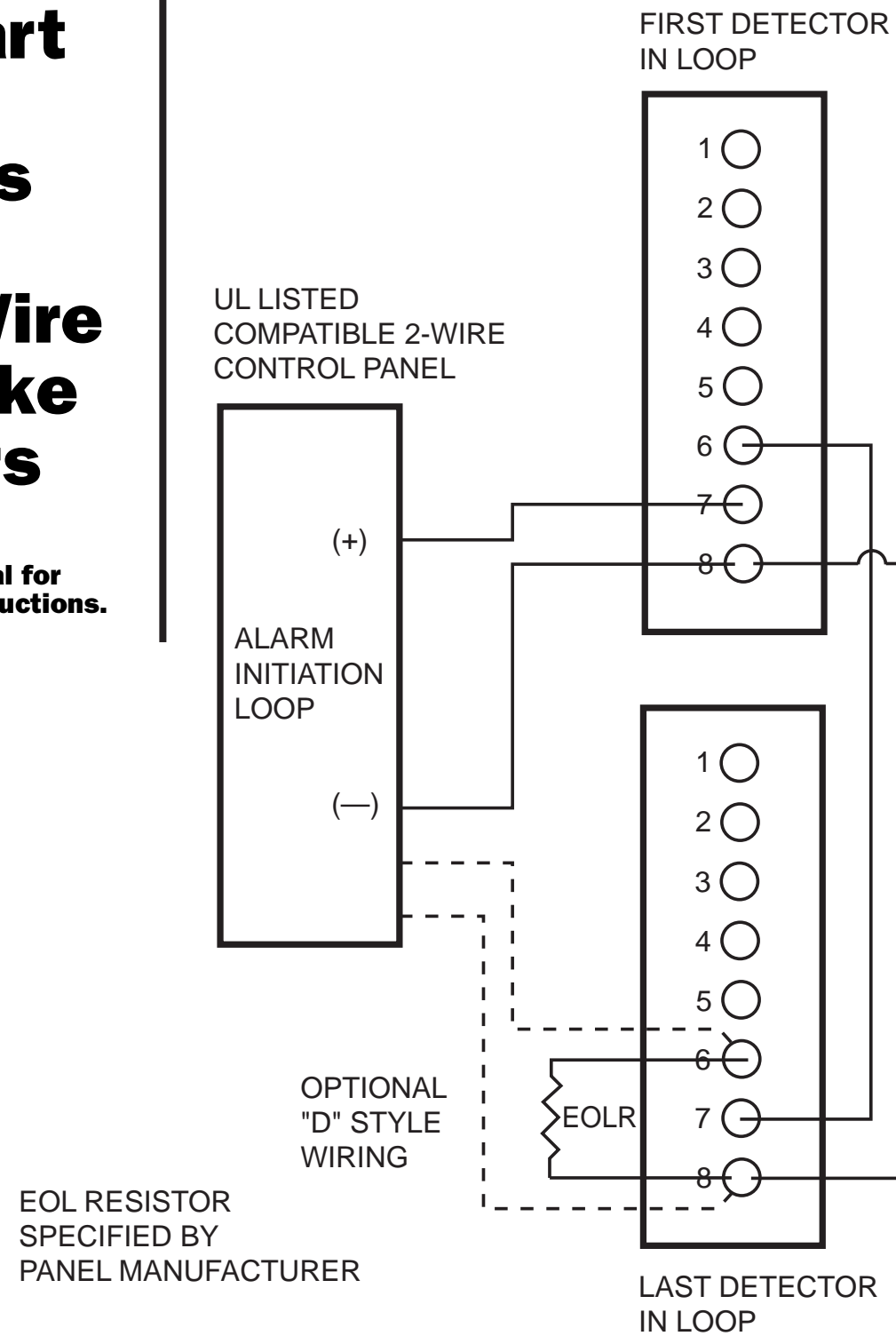
SCREWS - 4 LOCATIONS



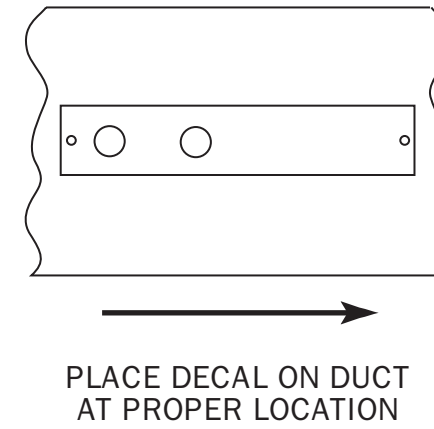
Quick Start Wiring Diagrams for DH100 2-Wire Duct Smoke Detectors

***Please refer to manual for
complete installation instructions.**

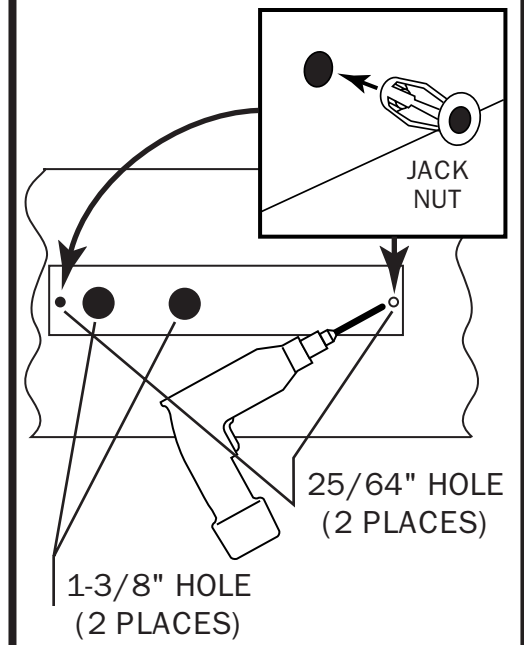
2-Wire to Panel



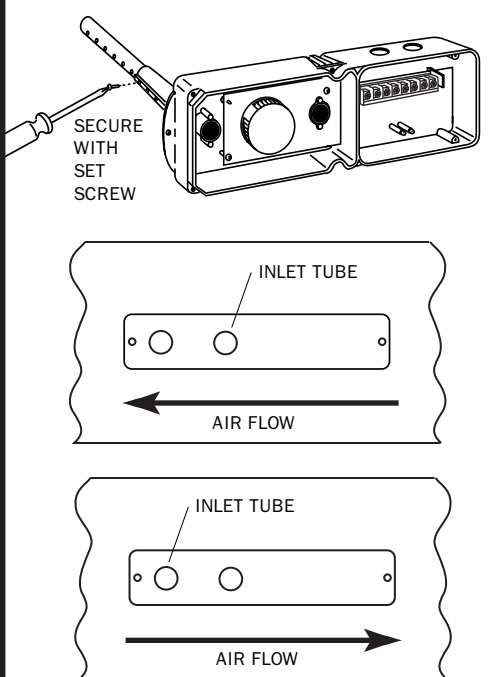
3 Template



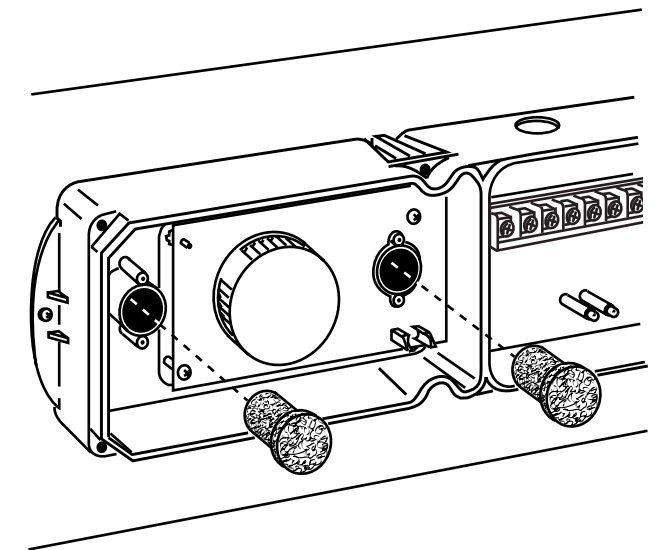
4 Drill Holes/ Punch Holes



5 Install Telescoping Sampling Tube



8 Filter Installation



9 Cover Replacement

