

Ordering Information

Innovair™:

DH100P	2-Wire Photoelectronic Duct Smoke Detector
DH100ACDCP	4-Wire Photoelectronic Duct Smoke Detector
DH100ACDCI	4-Wire Ionization Duct Smoke Detector

Special Solutions:

DH400ACDCIHT	4-Wire Ionization High Temperature Duct Smoke Detector
DH4000E-I	NEMA-3R Rated Metal Enclosure for DH400ACDCIHT Series High Temperature Duct Smoke Detector for Outdoor Installations
2451	Photoelectronic Plug-in Detector
B404B	120 VAC Base for 2451 Detector
B404BT	24 VAC/DC Base for 2451 Detector
RTC	Remote Test Coil Kit

Accessories:

ST-1.5	Metal Sampling Tube, Duct Widths 1'-2'
ST-3	Metal Sampling Tube, Duct Widths 2'-4'
ST-5	Metal Sampling Tube, Duct Widths 4'-8'
ST-10	Metal Sampling Tube, Duct Widths 8'-12'
A2440-00	Exhaust Tube Extension
RTS451KEY	Remote Test Station with Key Lock, UL Listed
RTS451	Remote Test Station, UL Listed
APA451	Piezo Annunciator, UL Listed
RA400Z	Remote Annunciator Alarm LED, UL Listed
PA400B	Mini-Alert Sounder, UL Listed
PS24LOB	Mini-Alert Add-on Strobe, UL Listed, use with PA400 and SSK451
PS12/24SLENSW	Smoke Lens Wall Mount, UL listed for use with PS24LOB
PS12/24SLENSC	Smoke Lens Ceiling Mount, UL listed for use with PS24LOB
MOD400R	Sensitivity Test Module, UL Listed
SSK451	Multi-Signaling Accessory

Replacement Components:

A5052	Replacement Ionization Sensor Board
A5069	Replacement Photoelectronic Sensor Board
A5064	Replacement 4-Wire Power Board
A5061	Replacement 2-Wire Power Board
T80-71-00	Replacement Plastic Sampling Tube
P48-55-00	Replacement Endcap for Plastic Sampling Tube
P48-21-00	Replacement Endcap for Metal Sampling Tube
MO2-04-00	Replacement Test Magnet
S08-39-01	Replacement Photo Insect Screen



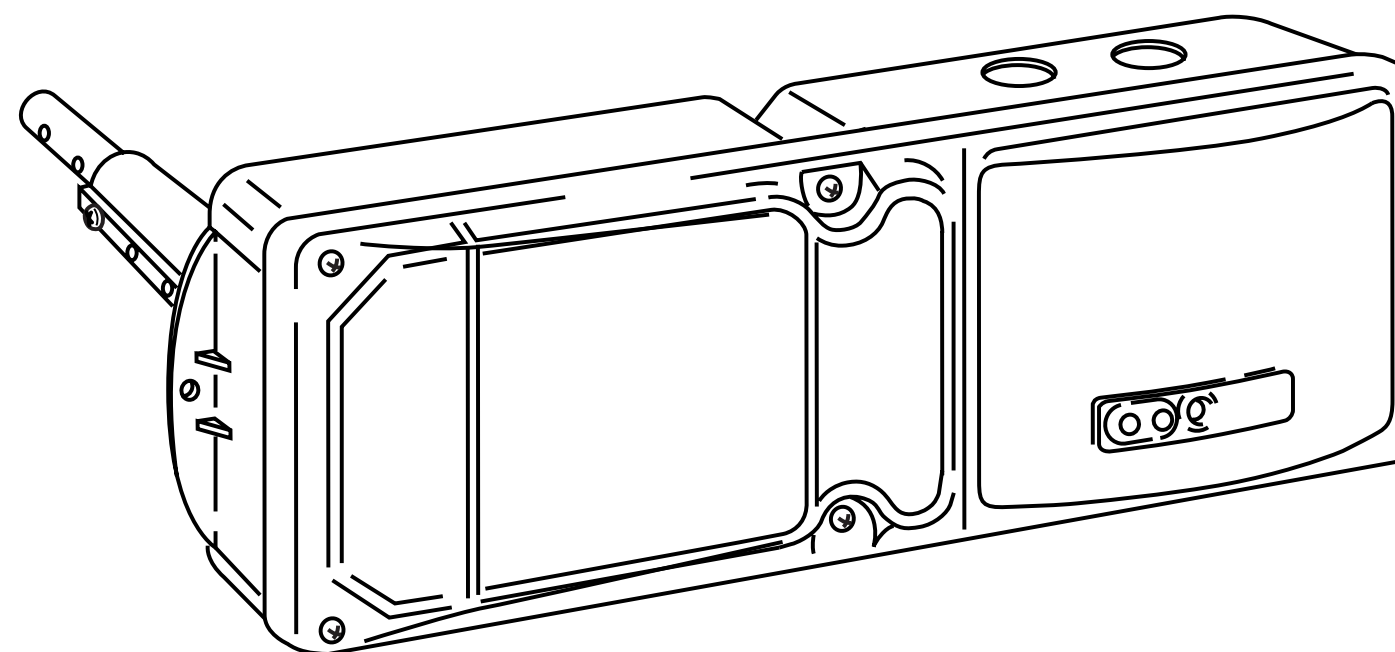
An ISO 9001 Certified Company
3825 Ohio Avenue
St. Charles, IL 60174
Toll Free: 1-800-SENSOR2 (736-7672) Fax: 630-377-6495
www.systemsensor.com

Innovair™

by



Quick Start Guide



DH100ACDC Duct Smoke Detectors

Innovair™
by
SYSTEM SENSOR™

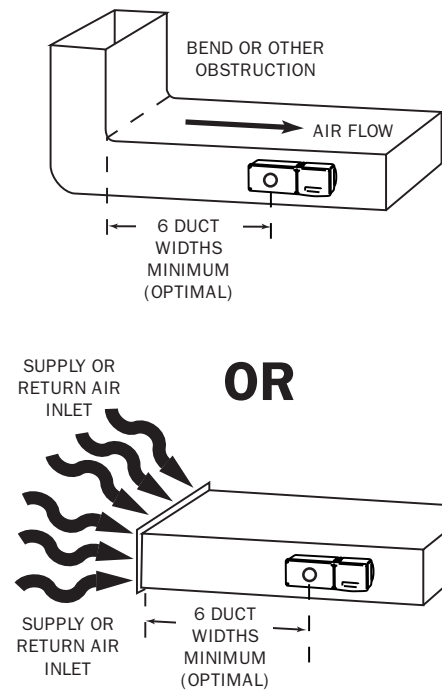
Quick Start Installation Guide*

DH100ACDC Duct Smoke Detectors

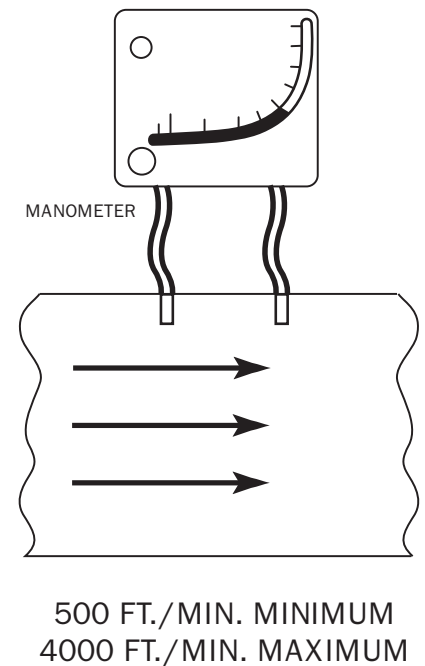
For Ducts 18" or Smaller

*Please refer to manual for complete installation instructions.

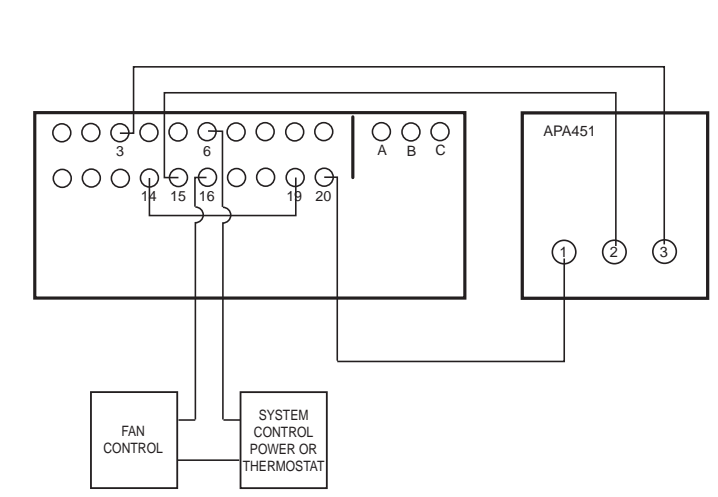
1 Location



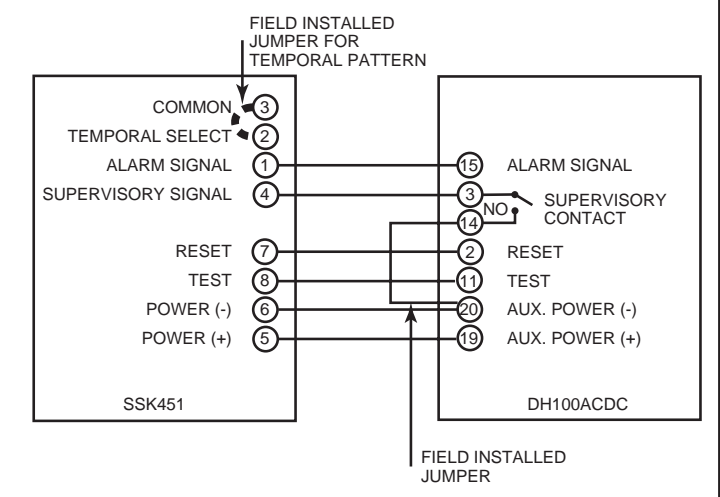
2 Verify Air Flow & Direction



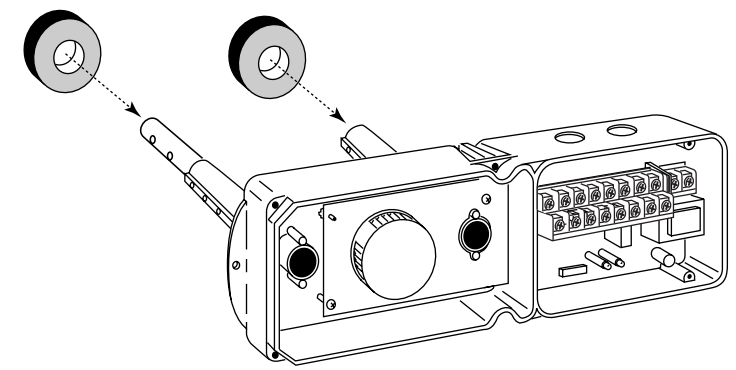
DH100ACDC to APA451



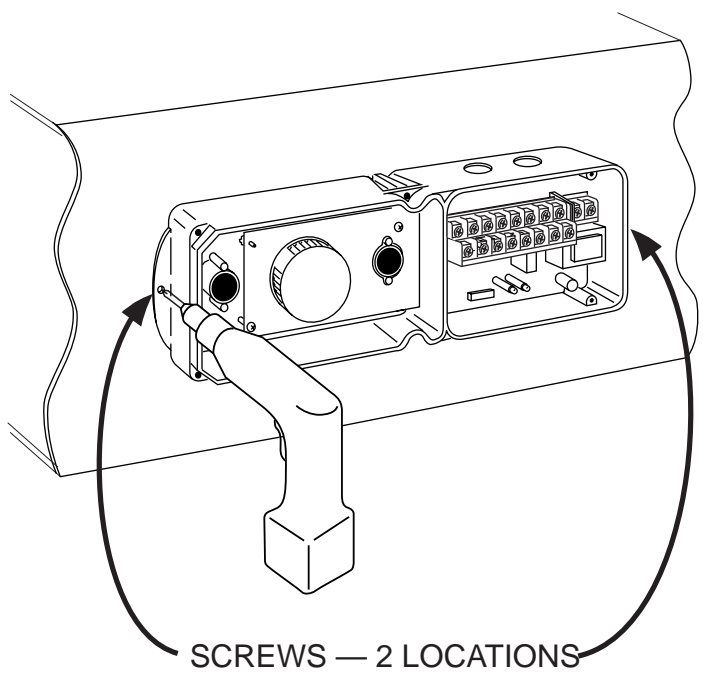
DH100ACDC to SSK451



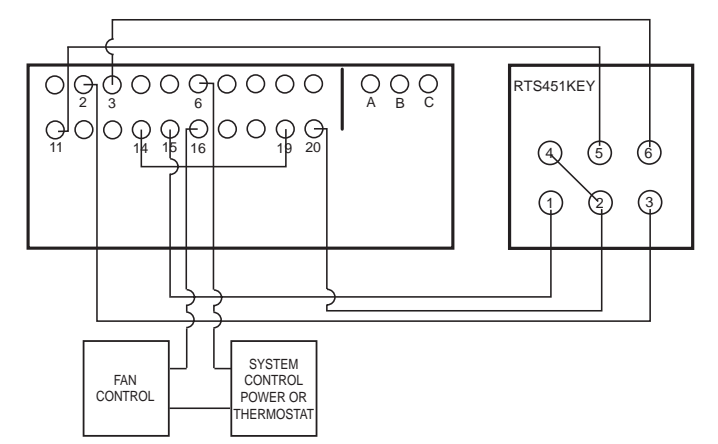
6 Gaskets



7 Mount Detector

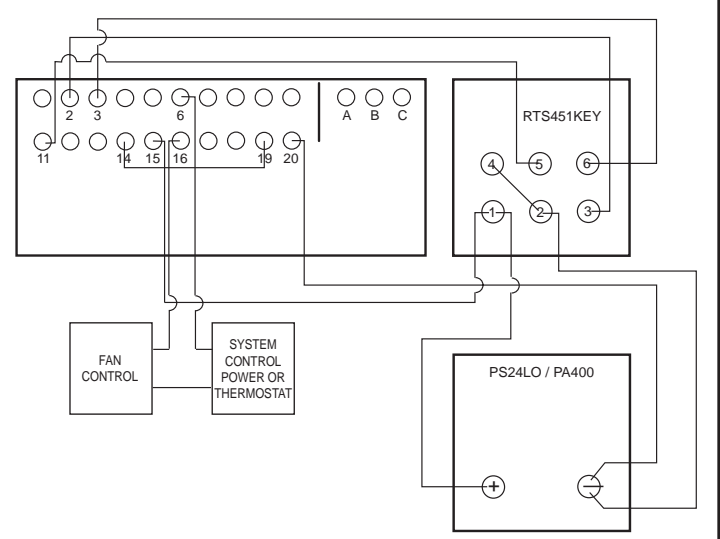


DH100ACDC to RTS451KEY



COIL NOTE
Please note that the magnetic coil supplied with the RTS451 and RTS451KEY is **not required** when these accessories are used with the DH100ACDC detectors. The functionality of the magnetic coil has been designed into the circuitry of the new Innovair™ duct smoke detectors.

DH100ACDC to RTS451KEY and PS24LO/PA400

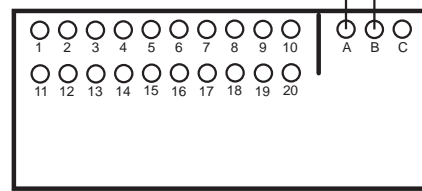




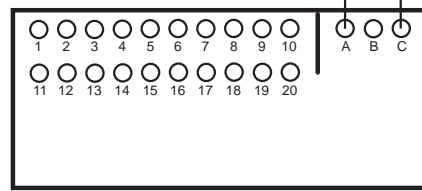
Quick Start Electrical Wiring Diagrams for DH100ACDC 4-Wire Duct Smoke Detectors

*Please refer to manual for complete installation instructions.

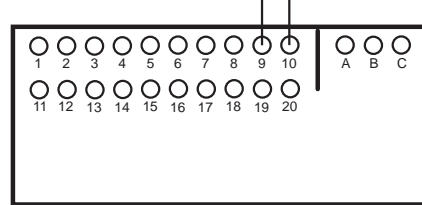
Power 110VAC/120VAC



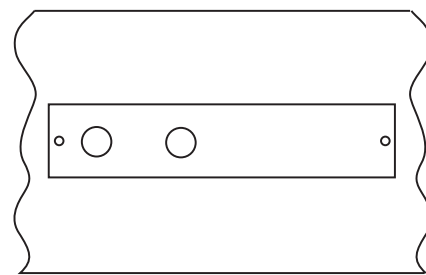
220VAC/240VAC



24V AC or DC

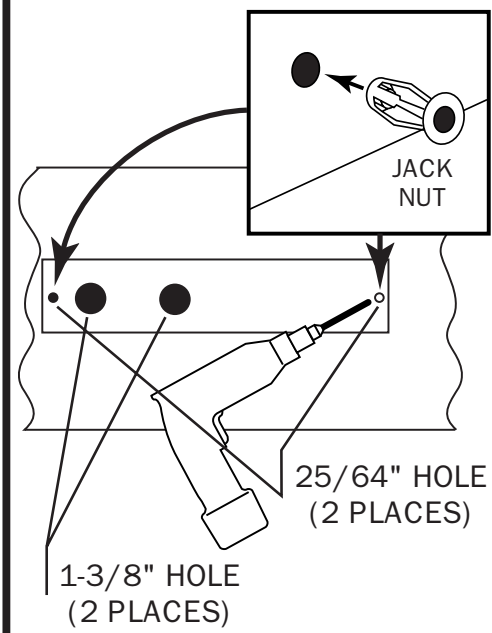


3 Template

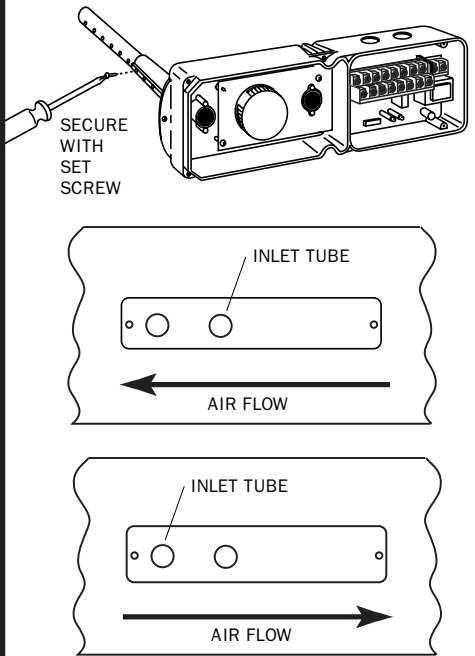


PLACE DECAL ON DUCT AT PROPER LOCATION

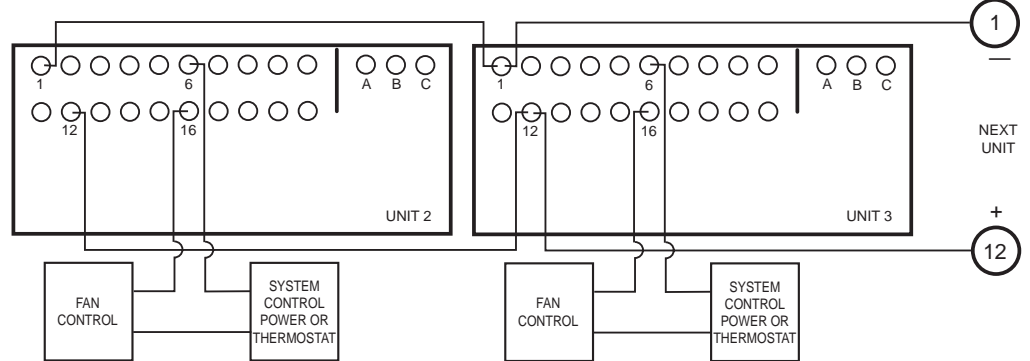
4 Drill Holes/Punch Holes



5 Install Telescoping Sampling Tube



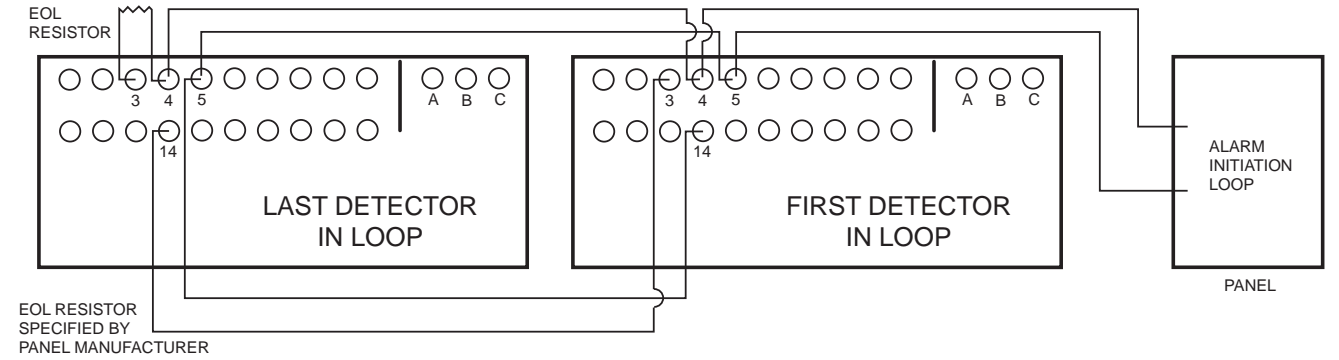
Multiple Fan Shut Down Interconnect up to ten Units



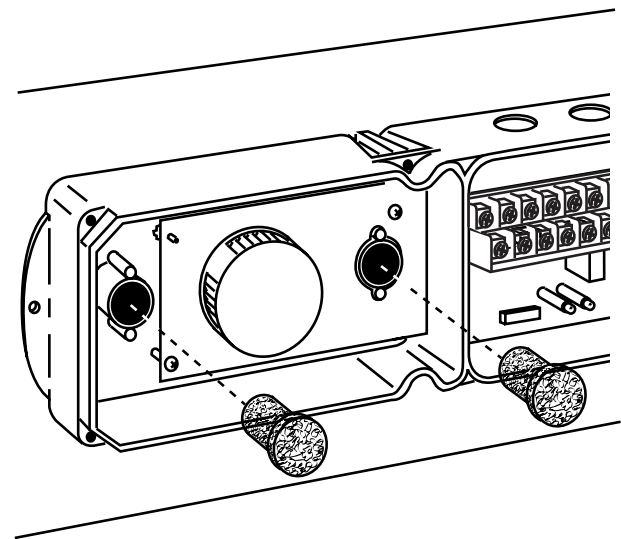
IMPORTANT INTERCONNECTION NOTES

- When using the interconnect feature, all interconnected units must be powered with the same, independent supply.
- Polarity must be maintained throughout the interconnect wiring. Connect terminal 12 on unit 1 to terminal 12 on unit 2 and so on. Similarly, connect terminal 1 on unit 1 to terminal 1 on unit 2 and so on.

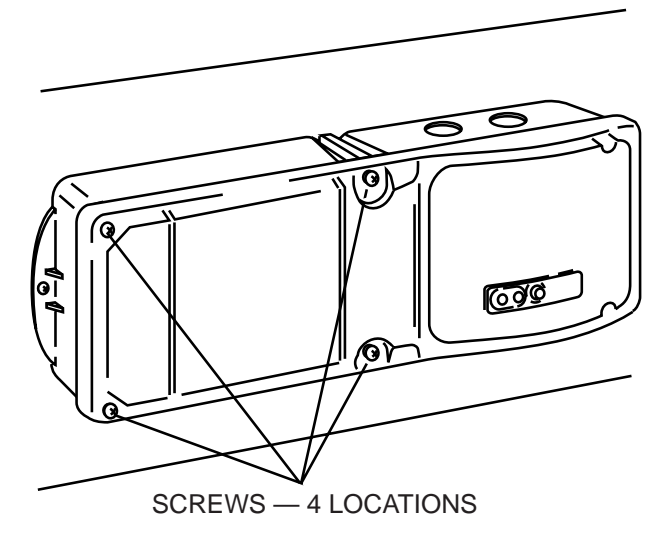
DH100ACDC to Panel



8 Filter Installation



9 Cover Replacement



Innovair™
by
SYSTEM SENSOR®

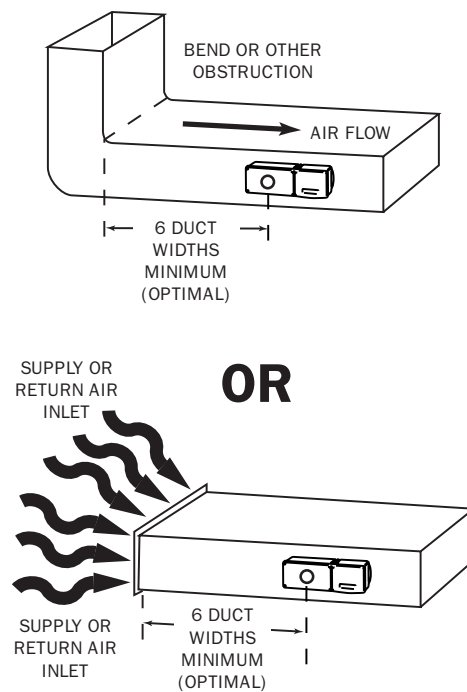
Quick Start Installation Guide*

DH100ACDC Duct Smoke Detectors

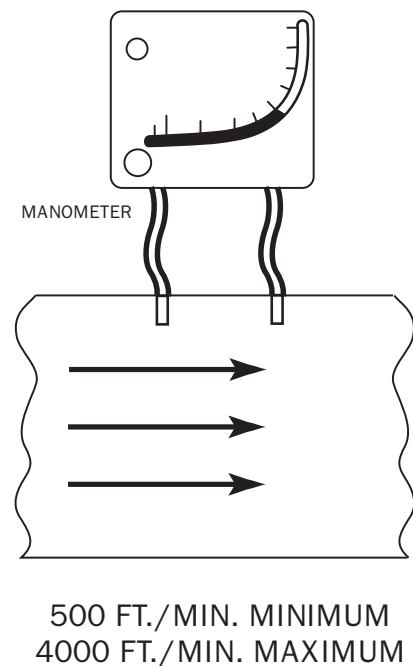
For Ducts Wider than 18"

*Please refer to manual for complete installation instructions.

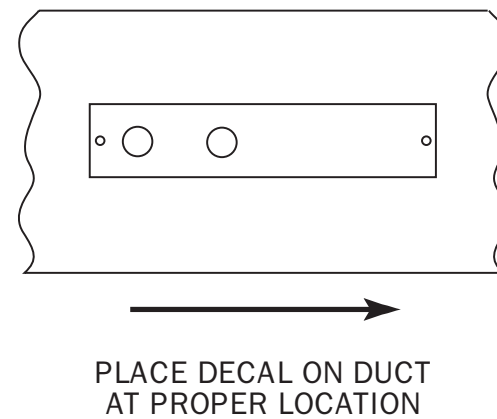
1 Location



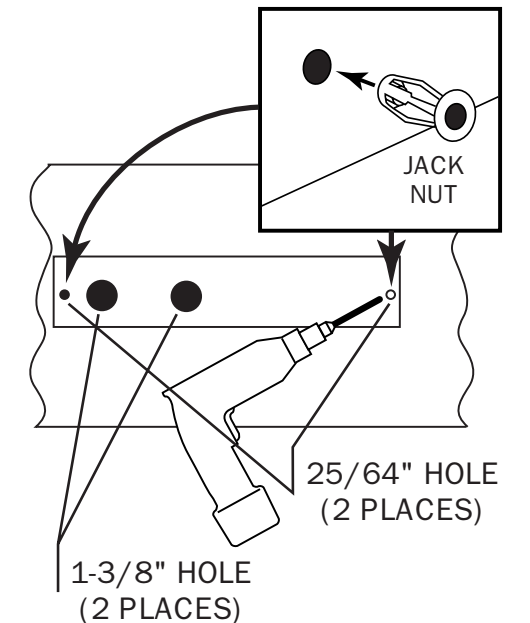
2 Verify Air Flow & Direction



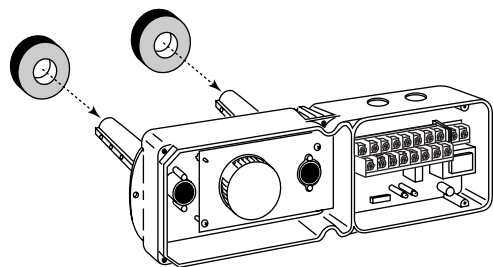
3 Template



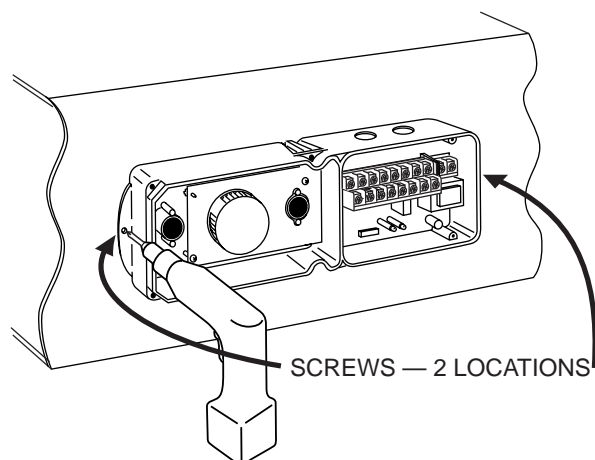
4 Drill Holes/Punch Holes



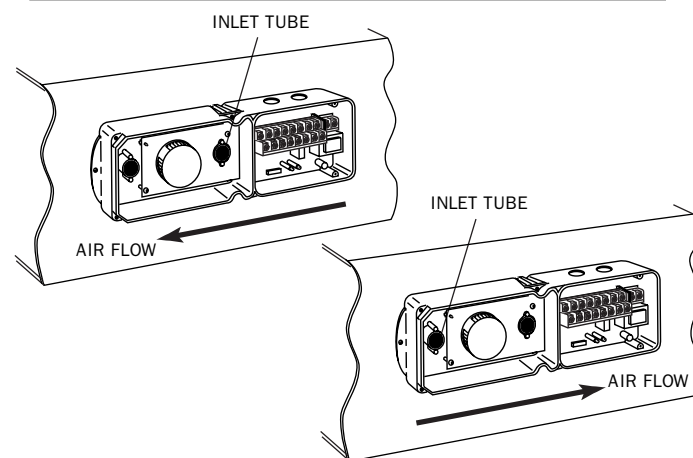
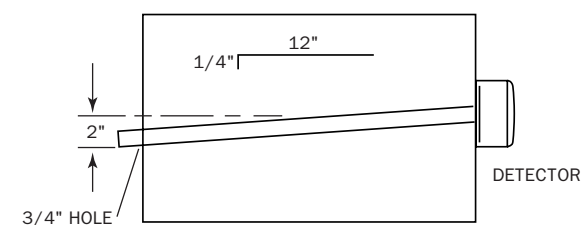
5 Gaskets



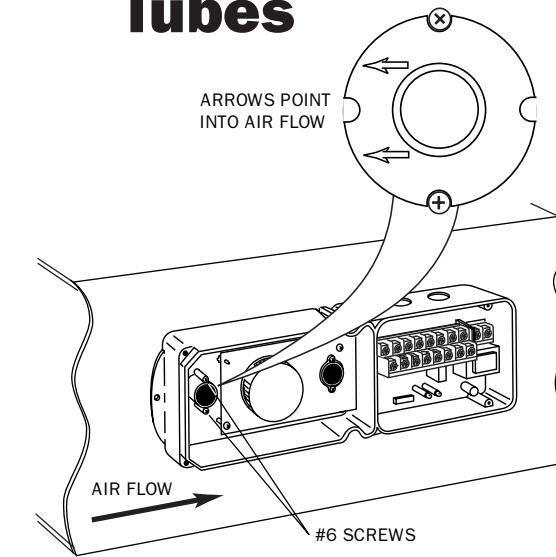
6 Mount Detector



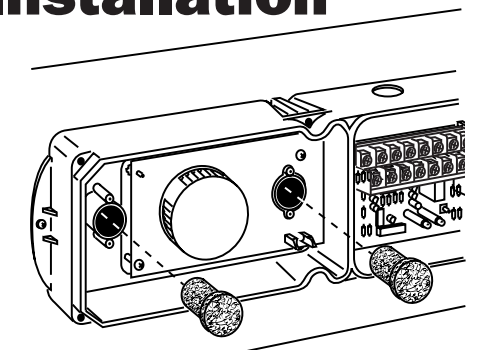
7 Inlet Sampling Tube Support (Duct > 3 ft.)



8 Mount Sampling Tubes



9 Filter Installation



10 Cover Replacement

