

# M500DR Audio Control Module

## Specifications

Normal Operating Voltage:	15 to 32 VDC
Maximum Current Draw:	6.5 mA (LED on)
Average Operating Current:	390µA (LED flashing)
External Supply Voltage (between Terminals T2/T3 or T4/T5)	
Maximum:	75 Volts RMS
Temperature Range:	32°F to 120°F (0°C to 49°C)
Humidity:	10% to 93% Noncondensing
Dimensions:	4 1/2" H x 4" W x 1 1/4" D (Mounts to a 4" square by 2 1/8" deep box.)
Accessories:	SMB500 Electrical Box; CB500 Barrier

## Before Installing

This information is included as a quick reference installation guide. Refer to the control panel installation manual for detailed system information. If the modules will be installed in an existing operational system, inform the operator and local authority that the system will be temporarily out of service. Disconnect power to the control panel before installing the modules.

**NOTICE:** This manual should be left with the owner/user of this equipment.

## General Description

M500DR Audio Control Modules are intended for use in intelligent, two-wire systems, where the individual address of each module is selected using the built-in rotary switches. This module is used to select either one of two separate audio signals, then connect it to a speaker circuit. Wiring to the speaker circuit is supervised, and status is reported to the panel as NORMAL, OPEN, or SHORT CIRCUIT. The M500DR has two pairs of output termination points available for fault-tolerant wiring, and does not require external non-polarized capacitors. There is a panel-controlled LED indicator.

## Compatibility Requirements

To ensure proper operation, this module shall be connected to compatible system control panels only.

## Mounting

This module mounts directly to 4" square electrical boxes (see Figure 2A). The box must have a minimum depth of 2 1/8". Flush mounted electrical boxes (SMB500) are available.

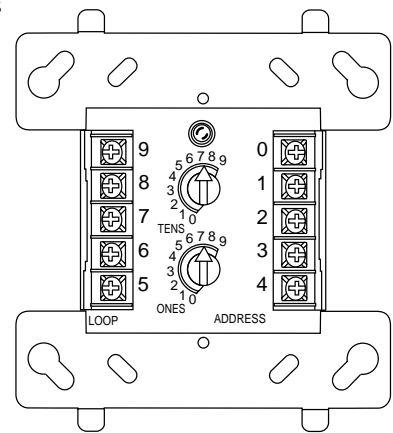
## Wiring

**NOTE:** All wiring must conform to applicable local codes, ordinances and regulations. When using control modules in nonpower limited applications, the CB500 Module Barrier must be used to meet UL requirements for the separation of power-limited and nonpower-limited terminals and wiring. The barrier must be inserted into a 4"x4"x2 1/8" junction box, and the control module must be placed into the barrier and attached to the junction box (Figure 2A). The power-limited wiring must be placed into the isolated quadrant of the module barrier (Figure 2B).

1. Install module wiring in accordance with the job drawings and appropriate wiring diagrams (Figures 3-4).

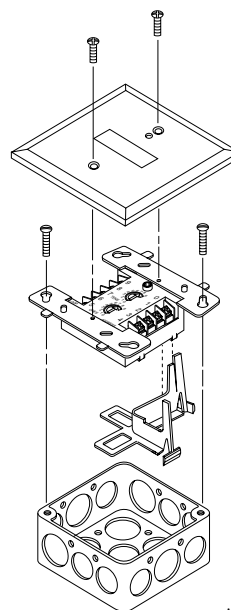
- Set the address on the module per job drawings.
- Secure module to electrical box (supplied by installer), as shown in Figure 2A.

Figure 1. Controls and Indicators



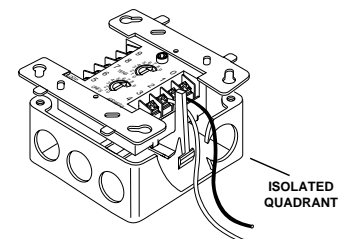
A78-2318-09

Figure 2A. Module mounting with barrier



A78-2610-07

Figure 2B. Isolated Quadrant



A78-2611-09

Figure 3. Typical wiring for speaker supervision and switching, NFPA Style Y;

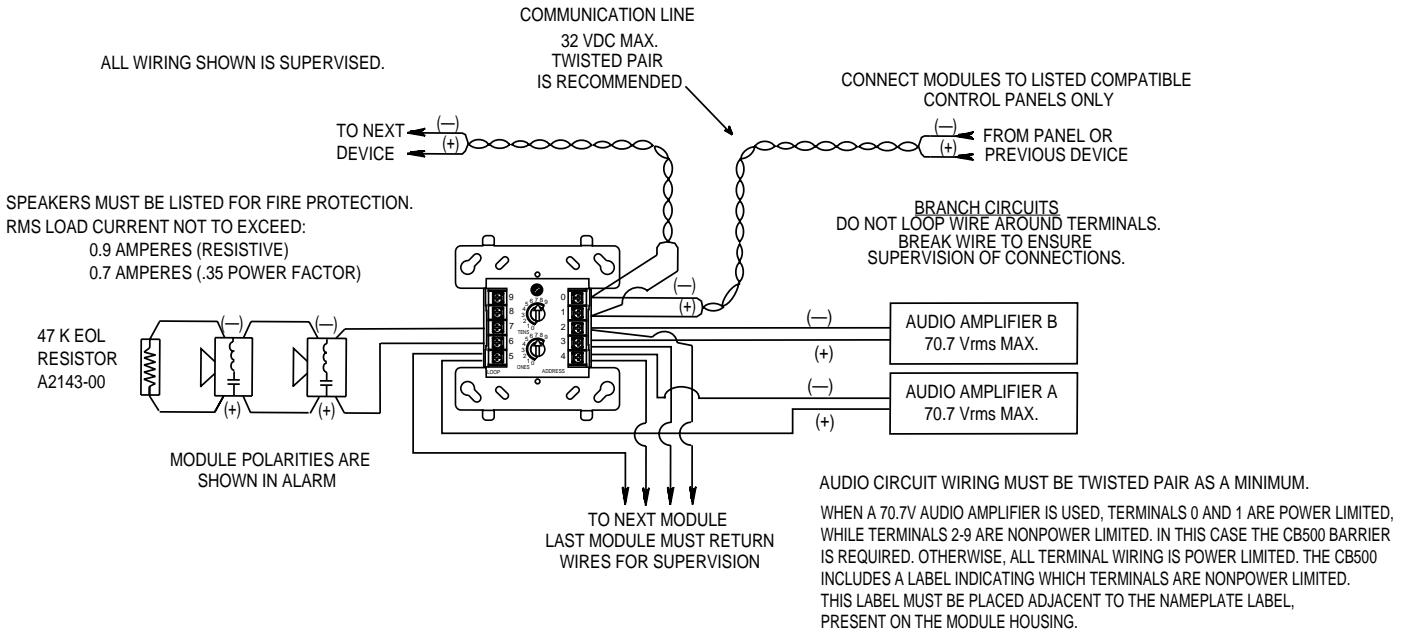
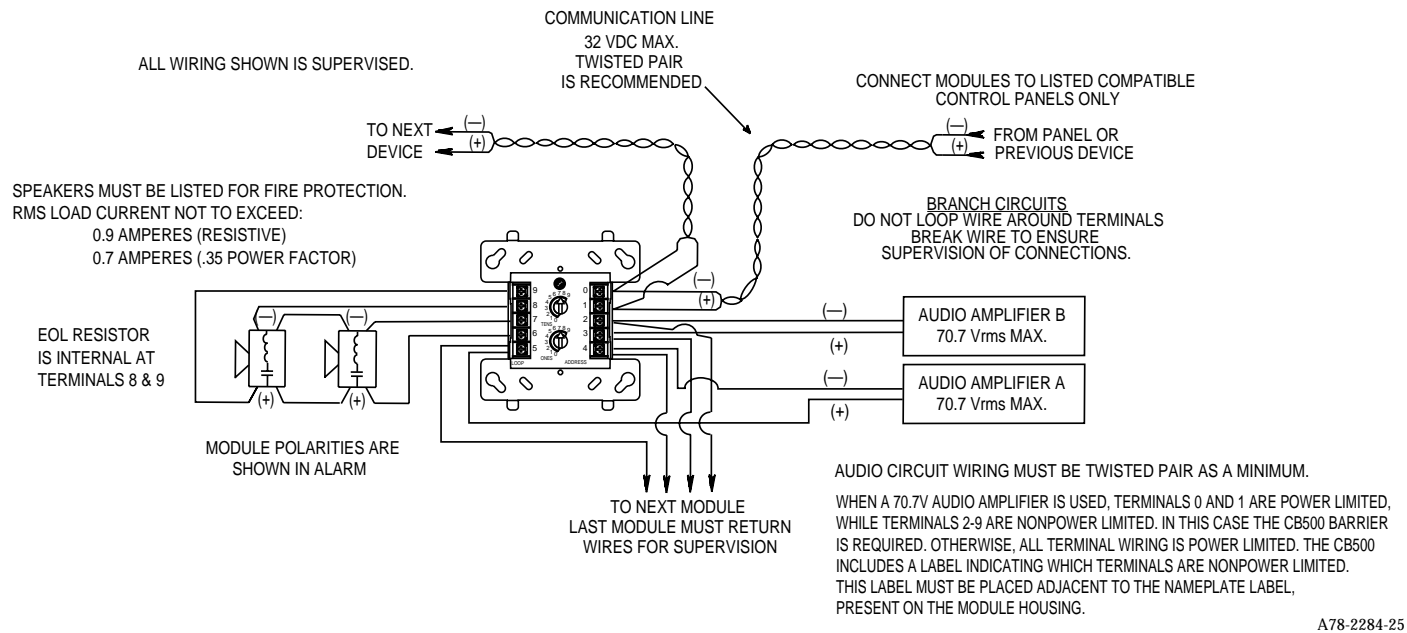


Figure 4. Typical wiring for speaker supervision and switching, NFPA Style Z;

A78-2284-24



A78-2284-25

**WARNING**

All relay switch contacts are shipped in the standby state (open) state, but may have transferred to the activated (closed) state during shipping. To ensure that the switch contacts are in their correct state, modules must be made to communicate with the panel before connecting circuits controlled by the module.

Three-Year Limited Warranty

System Sensor warrants its enclosed module to be free from defects in materials and workmanship under normal use and service for a period of three years from date of manufacture. System Sensor makes no other express warranty for this module. No agent, representative, dealer, or employee of the Company has the authority to increase or alter the obligations or limitations of this Warranty. The Company's obligation of this Warranty shall be limited to the repair or replacement of any part of the module which is found to be defective in materials or workmanship under normal use and service during the three year period commencing with the date of manufacture. After phoning System Sensor's toll free number 800-SENSOR2 (736-7672) for a Return Authorization number, send defective units postage prepaid to: System Sensor, Repair Depart-

ment, RA # \_\_\_\_\_, 3825 Ohio Avenue, St. Charles, IL 60174. Please include a note describing the malfunction and suspected cause of failure. The Company shall not be obligated to repair or replace units which are found to be defective because of damage, unreasonable use, modifications, or alterations occurring after the date of manufacture. In no case shall the Company be liable for any consequential or incidental damages for breach of this or any other Warranty, expressed or implied whatsoever, even if the loss or damage is caused by the Company's negligence or fault. Some states do not allow the exclusion or limitation of incidental or consequential damages, so the above limitation or exclusion may not apply to you. This Warranty gives you specific legal rights, and you may also have other rights which vary from state to state.