

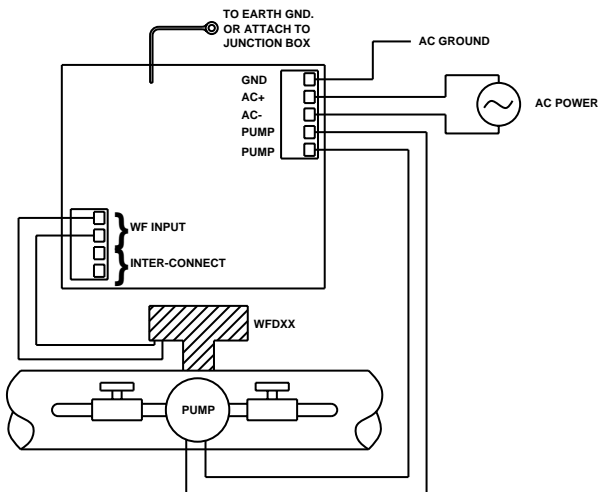
Zonecheck Keyswitch ZCK-1, ZCK-1E

Electrical Specifications

Key Switch Operating Voltage	ZCK-1: 110V, 60 Hz; ZCK-1E: 220V, 50 Hz
Key Switch Mounting Options	Includes back box for surface or flush mounting. For pre-wiring, use a 4-11/16" x 4-11/16" back box
Key Switch Operation Modes	Self-test: Wired locally Group test: Interconnected
Key Switch LED Operation	Ready state: No LED Test initiation: Green LED Flow switch activation: Red LED

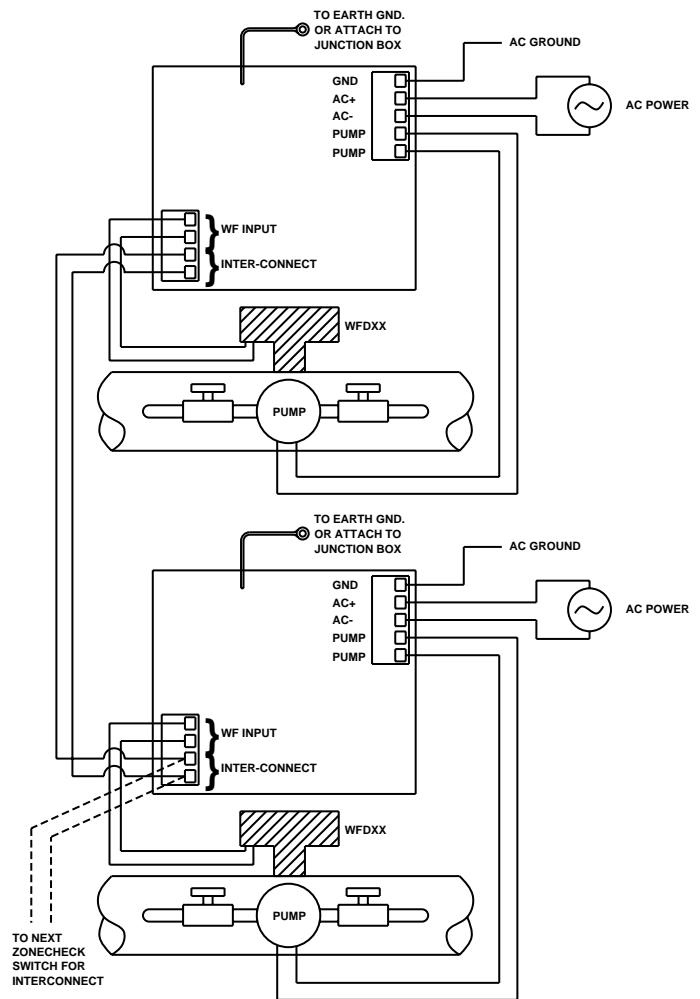
FOR INTERCONNECTING MULTIPLE ZONECHECK UNITS

WIRING DIAGRAM FOR STAND ALONE APPLICATION



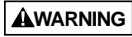
NOTE:
 WF INPUT NOT REQUIRED FOR
 KEYSWITCH OPERATION IF WFDXX IS
 CONNECTED TO PANEL OR OTHER
 MONITORING DEVICE.

REFER TO ZONECHECK MANUAL FOR
 PROPER WIRING.



Pre-Operation Guidelines

Contact central monitoring station or appropriate fire safety personnel prior to testing Zonecheck.



Only activate the Zonecheck ZCK-1 key switch when the valves are opened and the sprinkler system is full.

Zonecheck Testing: Self-Test Mode

To activate the Zonecheck wired locally to the ZCK-1 key switch insert key and turn to the right. The green LED on the ZCK-1 will illuminate to show that the pump has been activated. The red LED on the ZCK-1 will illuminate once the waterflow detector has been activated.

Note: The red LED will not illuminate if the waterflow detector is not wired to the ZCK-1 key switch. When testing has been completed, turn the key back to the standby position.

Zonecheck Testing: Group-Test Mode

All Zonecheck systems whose ZCK-1 key switches are interconnected (refer to interconnecting wiring diagram), may be activated from any ZCK-1 key switch. To initiate the group test, insert key and turn to the left.

The LEDs on the key switch from where the group test was initiated, only indicate the activity for the Zonecheck connected directly to that key switch.

When testing has been completed, turn the key back to the standby position.

Please refer to insert for the Limitations of Fire Alarm Systems

Three-Year Limited Warranty

System Sensor warrants its enclosed keyswitch to be free from defects in materials and workmanship under normal use and service for a period of three years from date of manufacture. System Sensor makes no other express warranty for this keyswitch. No agent, representative, dealer, or employee of the Company has the authority to increase or alter the obligations or limitations of this Warranty. The Company's obligation of this Warranty shall be limited to the repair or replacement of any part of the keyswitch which is found to be defective in materials or workmanship under normal use and service during the three year period commencing with the date of manufacture. After phoning System Sensor's toll free number 800-SENSOR2 (736-7672) for a Return Authorization number, send defective units postage prepaid to: System Sensor, Repair Depart-

ment, RA #_____, 3825 Ohio Avenue, St. Charles, IL 60174. Please include a note describing the malfunction and suspected cause of failure. The Company shall not be obligated to repair or replace units which are found to be defective because of damage, unreasonable use, modifications, or alterations occurring after the date of manufacture. In no case shall the Company be liable for any consequential or incidental damages for breach of this or any other Warranty, expressed or implied whatsoever, even if the loss or damage is caused by the Company's negligence or fault. Some states do not allow the exclusion or limitation of incidental or consequential damages, so the above limitation or exclusion may not apply to you. This Warranty gives you specific legal rights, and you may also have other rights which vary from state to state.