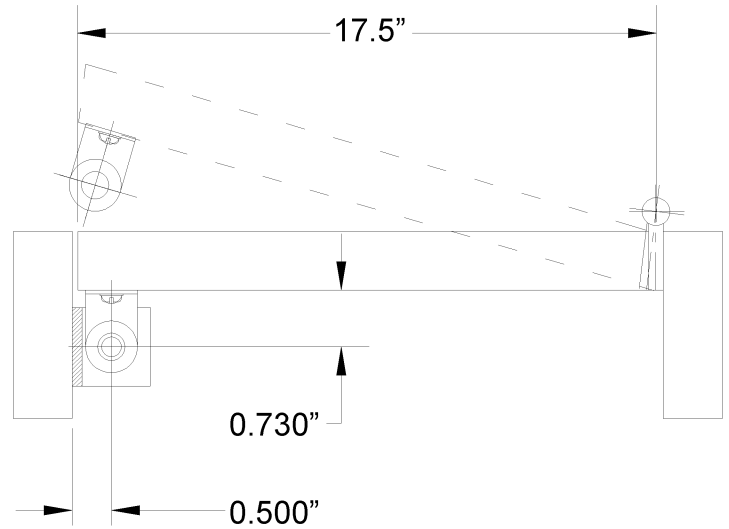
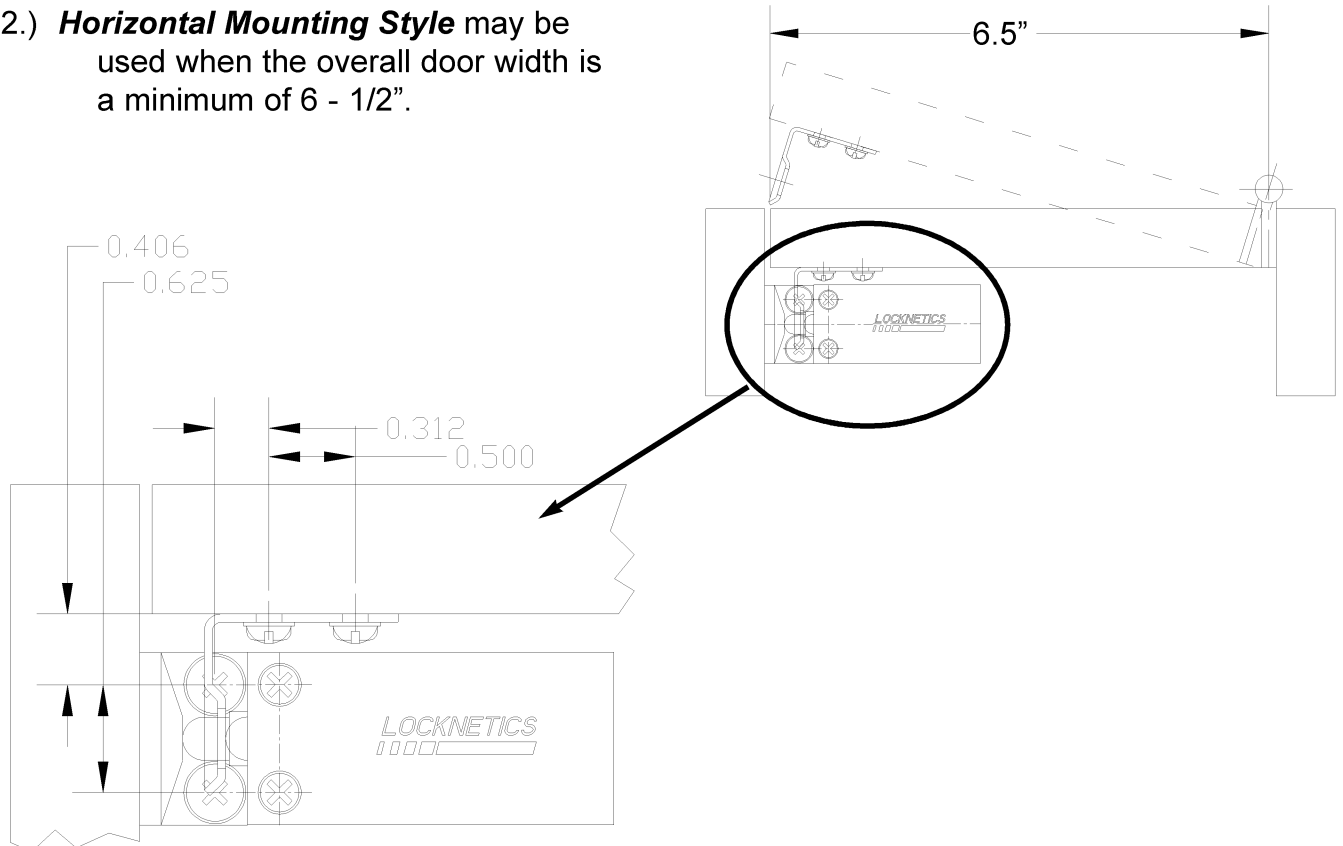


- 1.) **Vertical Mounting Style** may be used when the overall door width is a minimum of 17 - 1/2".



- 2.) **Horizontal Mounting Style** may be used when the overall door width is a minimum of 6 - 1/2".



575 Birch Street, Forestville, CT 06010
 (860) 584-9158 Fax (860) 584-2136

Wiring Installation

Figure 1 - 12V Configuration

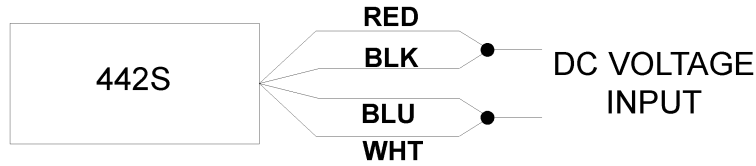
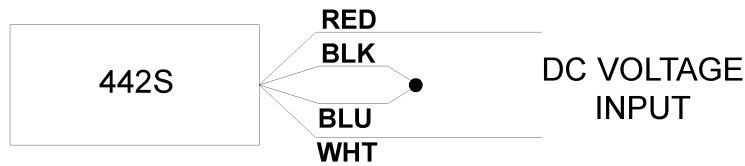


Figure 2 - 24V Configuration



Spike Suppressor Installation

Install your suppressor across the input voltage wires as close to the solenoid as possible.

