

RTS451KEY(A) Remote Test Station

Specifications

Dimensions:	4.6" H x 2.75" W x 1.8" D
Weight:	0.22 Lbs.
Power Requirements	
Power LED (Green):	14 – 35 VDC, 12 mA maximum
Alarm LED (Red):	2.8 – 32 VDC, 10 mA maximum
Test Coil*:	15.5 – 32 VDC, 95 mA maximum
Total Current:	105 mA maximum
Alarm Response Time:	40 seconds maximum
Temperature:	-10°C to 60°C (14°F to 140°F)
Humidity:	95% relative humidity, noncondensing

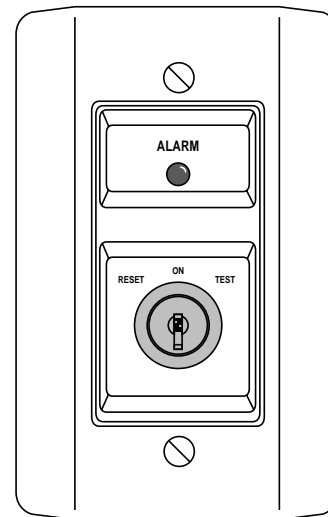
NOTICE: This manual should be left with the owner/user of this equipment.

Figure 1. RTS451KEY:

General Information

The System Sensor RTS451KEY(A) is an automatic fire detector accessory designed to test remotely located duct and beam detectors. For 4-wire detectors, the RTS451KEY features a multi-colored LED that alternates between steady green and red. Green indicates power and that the detector head is in place. Red indicates alarm. For 2-wire detectors, the LED will show red for alarm. Consult the detector installation instructions for additional information.

The National Fire Protection Association has published codes, standards, and recommended practices for the installation and use of this product. It is recommended that the installer be familiar with these requirements, with local codes, and any special requirements of the local authority having jurisdiction.



A78-2591-00

RTS451 Contents

- 1 RTS451KEY(A) remote test station
- 1 #4 screw for mounting bracket
- 1 test coil*
- 1 screw pack (2 mounting screws)
- 2 Keys
- 1 jumper with spade lugs*
- 1 test coil mounting bracket*

*Not used with Model 6424 Projected Beam Smoke Detector

Operation

Test Function

Insert the key and turn clockwise to the "TEST" position.

Alarm Indication

With the key in the "TEST" position, some time will elapse (40 seconds maximum) depending on the detector type, before the alarm indicating LED will turn red.

Reset Function

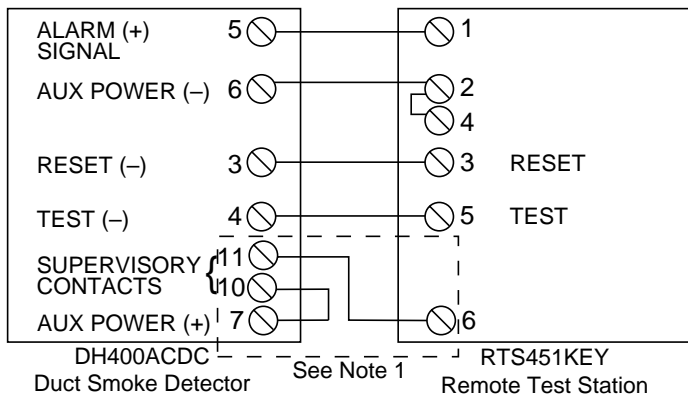
Turn the key counterclockwise to the "RESET" position and hold. The LED should turn off. Then, turn the key back to the "NORMAL" position and remove. The RTS451KEY is capable of resetting only certain models of detectors. Refer to the detector installation instructions for additional information.

Wiring Instructions

Consult the appropriate detector installation instructions for the applicable wiring diagram. The RTS451KEY mounts to a single gang box (2 1/2" minimum depth).

Figure 2. RTS451KEY wiring diagram for DH400ACDC, stand-alone configuration (See Note 1 for use with FACP):

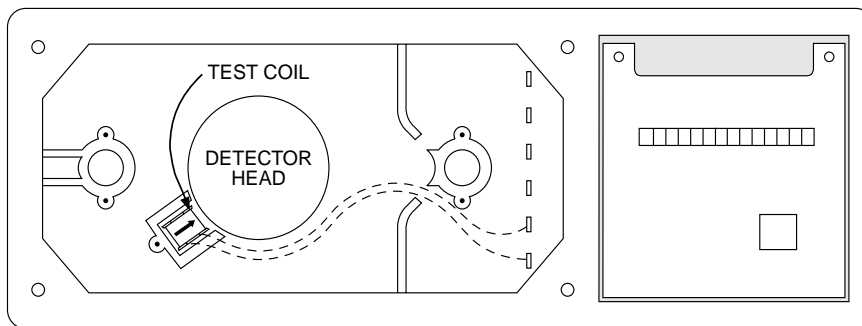
NOTE 1: When utilizing an FACP, trouble contacts (10 and 11) should be wired as shown in Figure 6 of the DH400ACDC installation manual. The RTS451KEY supervisory terminal (6) should not be used.



A78-2609-01

Figure 4. Test Coil installation:

NOTE: Test coil is NOT used with some detectors. Please refer to the detector installation manual for more information.

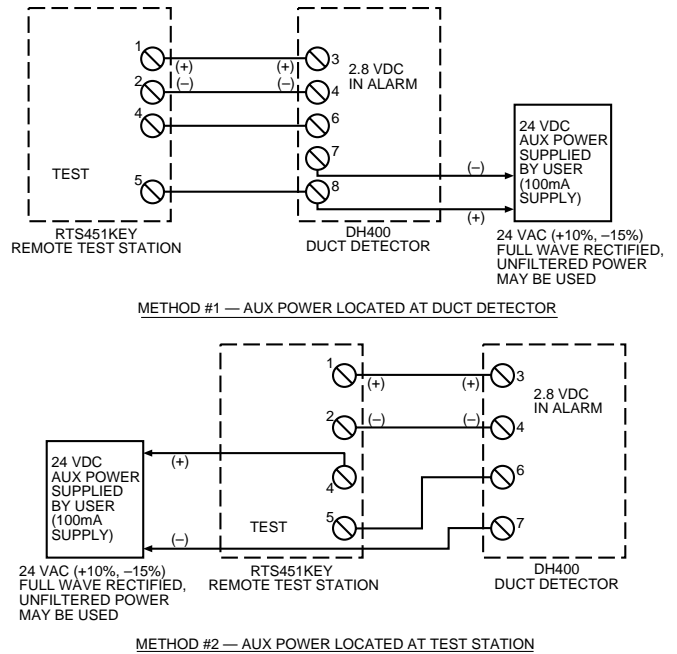


A78-1994-01

In Canadian applications, the RTS451KEYA is intended to be located in the same room as the smoke detector and within 60 feet of the unit.

Figure 3. RTS451KEY wiring diagrams for DH400:

NOTE: Terminal 6 of the RTS451KEY is not used when wired to a 2-wire detector.



A78-2351-10

Three-Year Limited Warranty

System Sensor warrants its enclosed remote test station to be free from defects in materials and workmanship under normal use and service for a period of three years from date of manufacture. System Sensor makes no other express warranty for this remote test station. No agent, representative, dealer, or employee of the Company has the authority to increase or alter the obligations or limitations of this Warranty. The Company's obligation of this Warranty shall be limited to the repair or replacement of any part of the remote test station which is found to be defective in materials or workmanship under normal use and service during the three year period commencing with the date of manufacture. After phoning System Sensor's toll free number 800-SENSOR2 (736-7672) for a Return Authorization number, send defective units postage prepaid to: System Sensor,

Repair Department, RA # _____, 3825 Ohio Avenue, St. Charles, IL 60174. Please include a note describing the malfunction and suspected cause of failure. The Company shall not be obligated to repair or replace units which are found to be defective because of damage, unreasonable use, modifications, or alterations occurring after the date of manufacture. In no case shall the Company be liable for any consequential or incidental damages for breach of this or any other Warranty, expressed or implied whatsoever, even if the loss or damage is caused by the Company's negligence or fault. Some states do not allow the exclusion or limitation of incidental or consequential damages, so the above limitation or exclusion may not apply to you. This Warranty gives you specific legal rights, and you may also have other rights which vary from state to state.