

SpectrAlert® Sync-Circuit™ Module

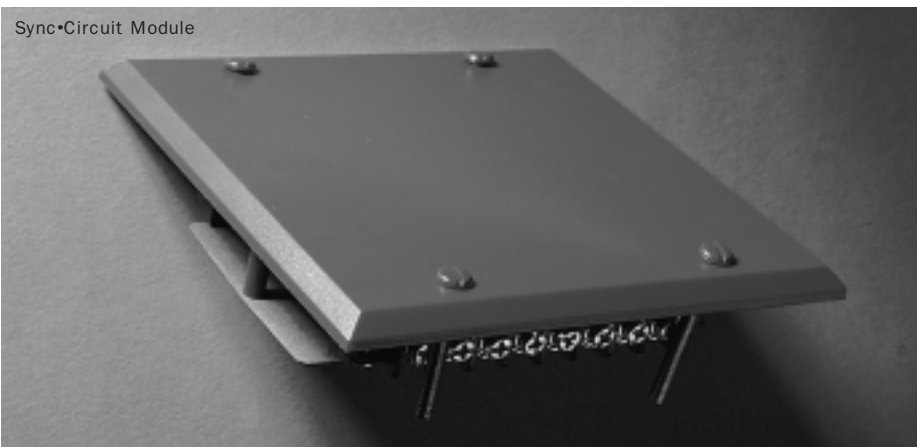


Models Available

MDL (Red)
MDLW (White)

Canadian Models

MDLA (Red)
MDLWA (White)



Product Overview

Two wire operation from module to the devices

Silences horns over a two wire loop

Synchronizes strobes at 1 Hz

Synchronizes horns to temporal 3 pattern

Patented technology

Allows slave module operation

Generates synchronized temporal 3 tone for Multi-Alert™ and PA400 horn products

Technology. The Sync-Circuit module synchronizes SpectrAlert® strobes at 1 Hz and horns at temporal 3 over a single pair of wires. Patented module technology also allows the silencing of horns on horn/strobe models over a pair of wires.

Application Flexibility. The Sync-Circuit module is designed to power and synchronize either two 3-amp circuits wired in Class B or one 3-amp circuit powered as Class A. Should more than two zones require synchronization, additional modules can be added by interconnecting the “slave” input and output terminals between modules.

Additional Capabilities. The Sync-Circuit module is also designed to generate temporal 3 tone for System Sensor’s Multi-Alert and PA400 Mini-Alert sounders. Existing installations can be upgraded to comply with NFPA 72.

Engineering Specifications

Synchronization Circuit Module shall be a System Sensor Sync-Circuit Model _____ listed to UL464 and shall be approved for fire protective service. The module shall synchronize SpectrAlert® strobes at 1 Hz and horns at temporal 3. Also, the module shall be capable of silencing the horns on horn/strobe models, while operating the strobes, over a single pair of wires. The module shall be capable of mounting to a 4¹¹/₁₆” x 4¹¹/₁₆” x 2¹/₈” back box and shall control two Style Y (class B) or one Style Z (class A) circuit. The module shall be capable of multiple zone synchronization by connecting multiple modules together via a slave-in/slave-out arrangement and re-synchronizing each other along the chain. *Note: The module shall not operate on a coded power supply.*



General Specifications

Dimensions

5¼" L x 5¼" W

Mounting

4¹¹/₁₆" x 4¹¹/₁₆" x 2³/₈" back box

Indoor Operating Temperature

32° to 120° F (0° to 49° C)

Operating Specifications

Operating Voltage

12 or 24 VDC and FWR unfiltered

Operating Voltage Range (12 V)

11 to 17 VDC

Maximum Load on Loop

3 Amps/zone

Operating Voltage Range (24 V)

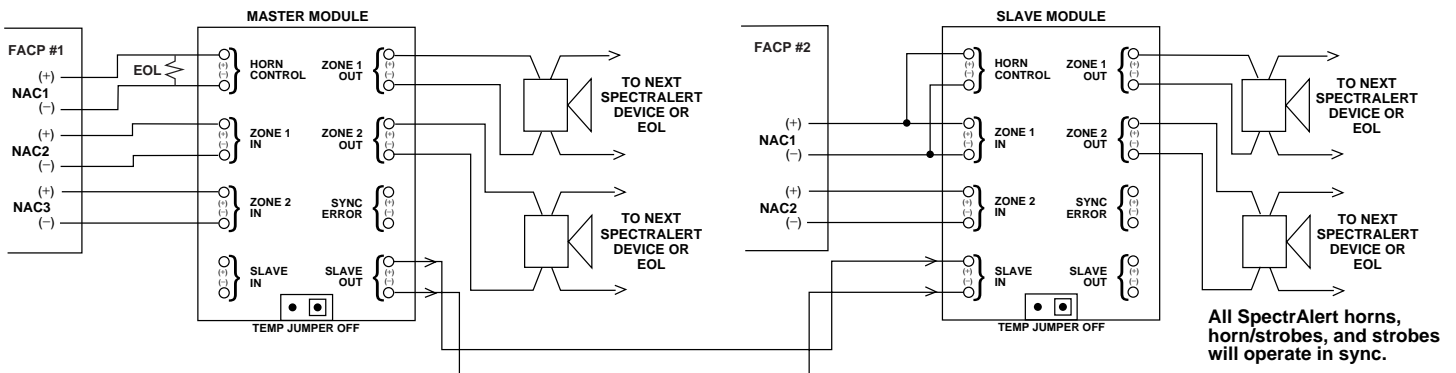
21 to 30 VDC

U.S. Patent Nos.

5,598,139 5,850,178

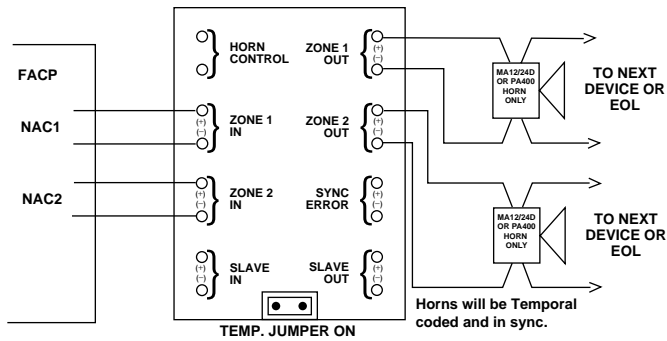
Horns Silenced Over Two-Wire Circuit

- Any mix of Horn/Strobes or Strobe only devices is acceptable
- Horn control connects to interruptible power source



Temp 3 Coding of Multi-Alert and PA400 Sounders

Strobes must be powered from non-coded supply



Ordering Information/Current Draw

Model No. Red	Model No. White	Voltage	Avg. mA @ Nom. VDC	Avg. mA @ Nom. FWR
MDL	MDLW	12/24	10/11	12/15
MDLA (Canadian)	MDLWA (Canadian)	12/24	10/11	12/15

System Sensor Sales and Service

System Sensor Headquarters

3825 Ohio Avenue
St. Charles, IL 60174
Ph: 800-SENSOR2
Fx: 630/377-6495
Documents On Demand:
1-800-736-7672 x3
Web: www.systemsensor.com

System Sensor Canada

Ph: 905.812.0767
Fx: 905.812.0771

System Sensor in Europe

Ph: 011.44.1403.276500
Fx: 011.44.1403.276501

System Sensor in China

Ph: 011.86.29.524.6253
Fx: 011.86.29.524.6259

System Sensor in Singapore

Ph: 011.65.273.2230
Fx: 011.65.273.2610

System Sensor- Far East

Ph: 011.852.21919003
Fx: 011.852.27366580

System Sensor- Australia

Ph: 011.613.54.281.142
Fx: 011.613.54.281.172