

Digital  
**BRAVO 3**™  
PIR Motion  
Detector

*Digital !*  
*Superior Detection Accuracy*  
*At High Temperatures*



*Features...*

- Digital technology for superior signal processing
- Exceptional catch performance at elevated temperatures
- Two auto-selected operational parameters
- Enhanced false alarm immunity
- Multi-level PIR signal processing
- Digital temperature compensation
- Dual element low noise sensor
- High level static and transient protection
- Excellent RF immunity
- LED on/off jumper
- Wall, corner, ceiling mounting
- Vertical adjustment
- 5 year warranty

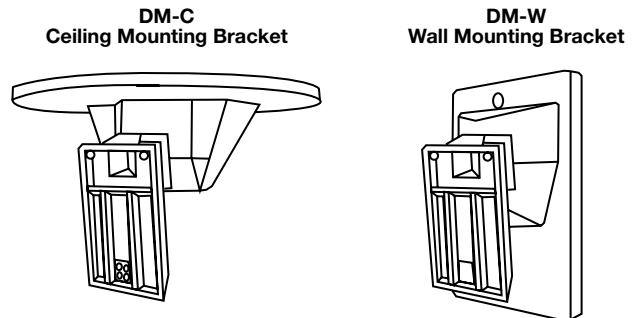
*MODELS*

<b>BV-300D</b>	Form 'A' alarm contact
<b>BV-301D</b>	Form 'A' alarm contact & tamper switch
<b>BV-302D</b>	Form 'C' alarm contact & tamper switch

*LENS COVERAGE*

Wall-to-Wall lens (BV-L1-UV)	. . . . .50'L x 60'W	(15.2 x 18.3m)
Corridor lens (BV-L2-UV)	. . . . .120'L x 10.5'W	(36.6 x 3.2m)
Curtain lens (BV-L3-UV)	. . . . .50'L x 4.4'W	(15.2 x 1.3m)
Pet Alley lens (BV-L4-UV)	. . . . .50'L x 60'W	(15.2 x 18.3m)

*MOUNTING BRACKETS*



Both brackets allow detectors to be tilted up or down and rotated through 90° to obtain an ideal position for optimal coverage.

**SPECIFICATIONS**

**Operational :**

- Coverage angle (wall to wall lens) .90° minimum
- Vertical adjustment . . . . .+5 to -10°
- Mounting height . . . . .6' to 12' (2 to 3.5m) nominal 7.5' (2.3m)
- Walk detection speed . . . . .0.5 to 10ft/s (0.15 to 3.0m/s)
- Alarm duration . . . . .2 to 3 seconds

**Environmental/Immunity :**

- Operating temperature . . . . .32 to 122°F (0 to 50°C)
- Operating humidity . . . . .5% to 95% non-condensing
- RF immunity . . . . .10V/m + 80% AM from 80MHz to 1GHz
- Transient immunity . . . . .2.4kV @ 1.2 joules
- Static immunity . . . . .8kV contact, 15kV air

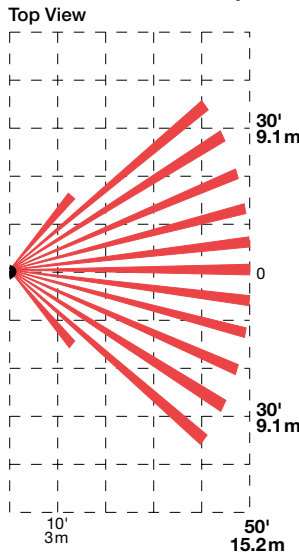
**Electrical :**

- Operating voltage . . . . .9.5 to 14.5VDC
- Ripple tolerance . . . . .3Vpp at 12VDC
- Standby current . . . . .nominal 15mA at 12VDC
- Alarm current . . . . .nominal 18mA at 12VDC
- Contact ratings . . . . .100mA at 24VDC
- Alarm contact series resistance . . . . .10ohm 0.25W

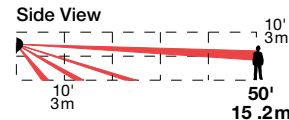
**Physical :**

- Dimensions . . . . .3.5"H x 2.5"W x 1.87"D  
(8.9 x 6.4 x 4.8cm)
- Mounting . . . . .wall or corner
- Color . . . . .designer white, with white lens

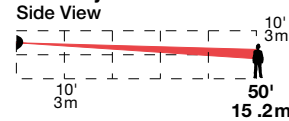
**Wall to Wall & Pet Alley Lens**



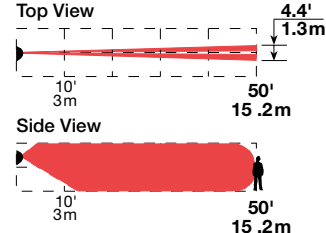
**Wall to Wall Lens**



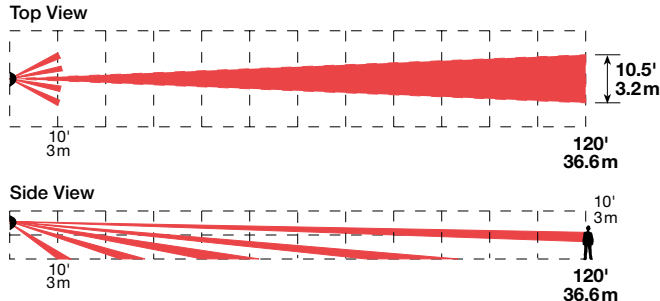
**Pet Alley Lens**



**Curtain Lens**



**Corridor Lens**



**ENGINEER'S SPECIFICATIONS**

The contractor shall provide infra-red motion detectors in the areas specified on the drawings. Contractor shall be responsible for determining the best mounting location in each area to provide full coverage while minimizing false alarms. Wall mount detectors shall in addition be ceiling, or corner mountable, and shall share common mounting brackets so that they are interchangeable. Mounting position shall be adjustable both vertically and horizontally so that final position may be fine tuned as required during walk-testing.

In areas subject to high environmental temperatures, the detector shall be microprocessor controlled and software driven. It shall digitally analyze the PIR signal and use Multi-Level Signal Processing (MLSP) for accurate detection. In addition, it shall also utilize digital temperature compensation and two auto-selected operational modes to provide consistent detection across its entire operational temperature range. The detector shall have high immunity to false alarms from RF, static, and electric transients.

Detectors shall have 4 interchangeable lenses to provide 50'L x 60'W (15.2 x 18.3m) wall to wall coverage with or without pet alley, 120'L x 10.5'W (36.6 x 3.2m) corridor coverage, and 50'L x 4.4'W (15.2 x 1.3m) curtain coverage.

All detectors shall carry a 5 year manufacturer's warranty.



Digital Security Controls  
Toronto, Canada  
www.dscgrp.com