

2 WIRE DUCT SMOKE DETECTOR DH400I / DH400P

FEATURES:

- 12 / 24V operation
- Ionisation and Photodetector versions available
- Air velocity rating from 2.5 m/s to 20 m/s
- Remote test station and remote annunciator
- Clear polycarbonate cover for easy visual inspection of sampling tube filters
- Suits round or rectangular ducts 0.3m - 3.6m wide
- Remote LED output

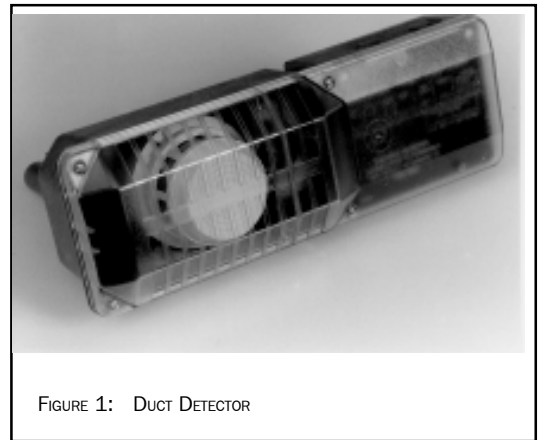


FIGURE 1: DUCT DETECTOR

DESCRIPTION:

System Sensor's DH400 duct detector samples air currents passing through a duct and gives dependable performance for shutdown of fans, blowers, and air conditioning systems, preventing the spread of toxic smoke and fire gases through the protected area. The twist-in, twist-out heads allow for quick and easy cleaning or application changes without removing the duct housing.

Since duct detectors are often mounted in inaccessible areas, the RTS-451 remote test station can be mounted at a convenient location and allows the detector head to be tested without the need for access to the duct detector.

Sampling tubes are available separately in four different lengths to suit ducts from 0.3m to 3.6m wide. Some control panels require a resistor to be fitted in series with the detector. For this reason, a series 750Ω series resistor is mounted in the DH400 (see wiring diagram). To activate this resistor, simply cut jumper J1 on the DH400 PC board with a pair of wire cutters (see illustration overleaf).

SPECIFICATIONS:

Operating Voltage Range:	8.5 to 35 VDC
Max Standby Current:	120µA at 24 VDC
Alarm Ratings:	4.2VDC Minimum at 10mA 6.6VDC Maximum at 100mA
Operating Humidity Range:	10% to 93% Relative Humidity, non-condensing
Operating Temperature Range:	-10°C to +60°C
Length:	367mm
Width:	127mm
Depth:	102mm
Weight:	1.8kg
Duct air velocity:	2.5m/s to 20m/s

ACCESSORIES:

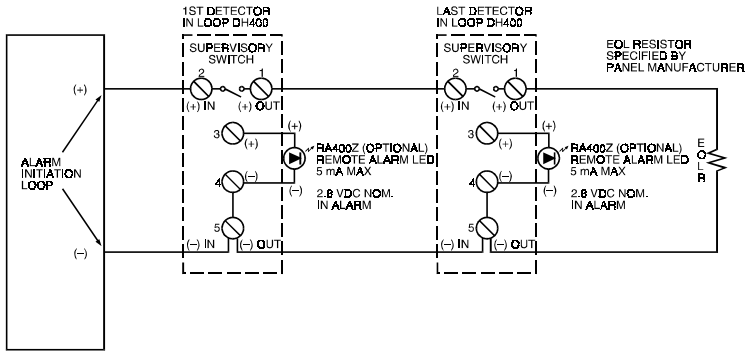
ST-1.5	Sampling tube for ducts 0.3m to 0.6m wide
ST-3	Sampling tube for ducts 0.6m to 1.2m wide
ST-5	Sampling tube for ducts 1.2m to 2.4m wide
ST-10	Sampling tube for ducts 2.4m to 3.6m wide
RTS-451	Remote test station
F36-05-00	Replacement air filters (two per package)
A2650-01	Replacement installation kit (mounting hardware)
I56-473-02	Guide for Proper Use of Smoke Detectors in Duct Applications

EUROPEAN HEADQUARTERS
SYSTEM SENSOR EUROPE
3 HORSHAM GATES
HORSHAM
WEST SUSSEX
RH13 5PJ
UNITED KINGDOM
TEL. : +44 1403 276500
FAX : +44 1403 276501
e-mail: Sales@sseuk.com

EUROPEAN MANUFACTURING CENTRE
PITWAY TECNOLOGICA SPA
VIA CABOTO 19
34147 TRIESTE
ITALY

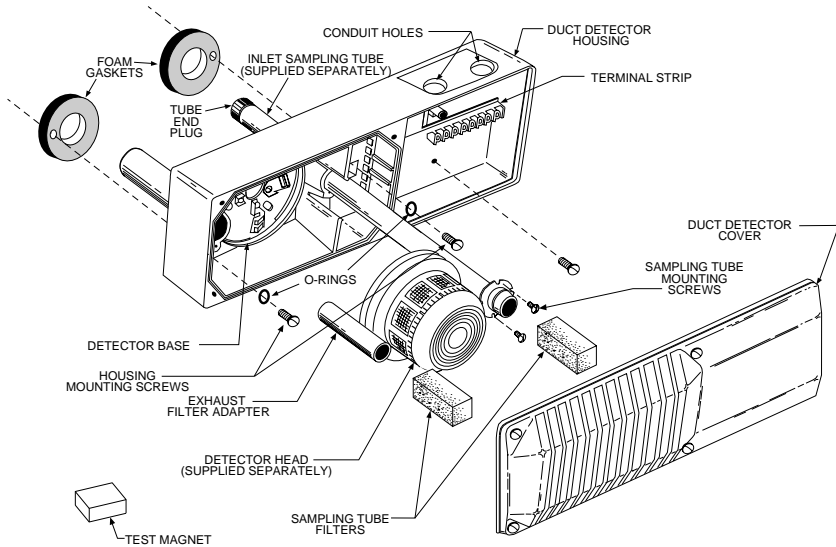
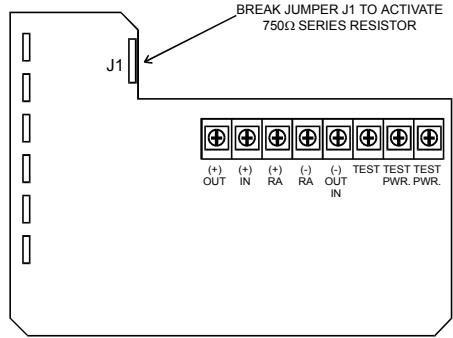
TEL. : +39 40 9490 111
FAX : +39 40 382137





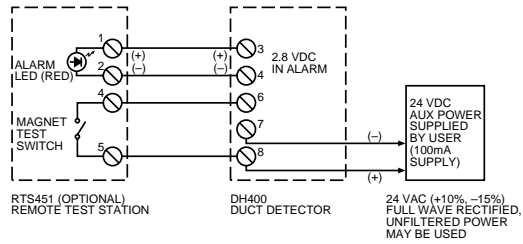
System Wiring Diagram for DH400 2-Wire Duct Smoke Detectors

PC Board layout showing position of Jumper J1

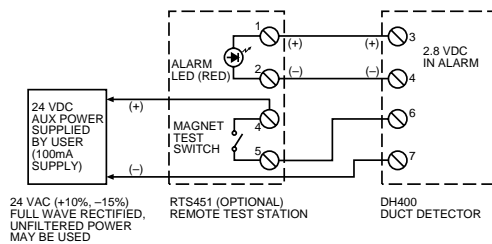


Exploded View of DH400 Duct Smoke Detector Components

Wiring Diagram for RTS-451 Remote test station with DH400 2-Wire Duct Smoke Detectors



METHOD #1 — AUX POWER LOCATED AT DUCT DETECTOR



METHOD #2 — AUX POWER LOCATED AT TEST STATION