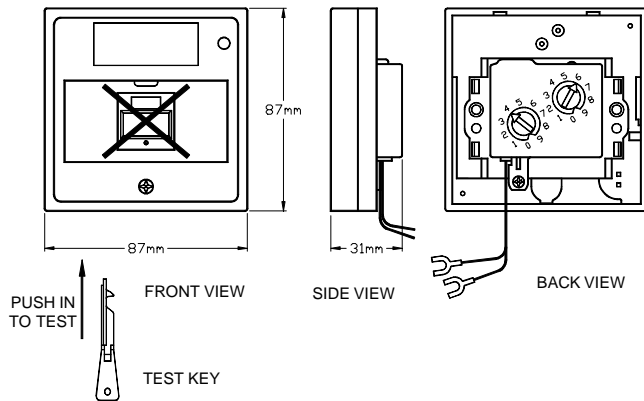


Mechanical Specifications



Ingress Protection Rating: IP44 (fitted as directed)

Electrical Specification

Minimum operating voltage: 15V

Maximum operating voltage: 30V

Current rating:

Quiescent - 200 μ A

Alarm - 5 mA

(LED rating: 30 mA max.)

Manufactured by: System Sensor Europe
Pittway Tecnologica S.p.A.
Via Caboto 19, 34147
Trieste, Italy

156-0843-009

Installation

CAUTION

Do not connect circuit wiring to this callpoint, other field devices or the control panel, or apply power to any portion of the system until all necessary wiring polarity, continuity and insulation tests have been performed. All wiring must conform to applicable local and national regulations and codes of practice.

1. Terminate field wiring in the chosen mounting box taking care to maintain continuity of any shielding provided.
2. Set the callpoint address according to the designated project drawings, using a flat bladed screwdriver to turn the rotary address switches to the allocated number between 01-99.

(Note: Address 00 set at the factory is recognised by the panel as a fault condition)

3. Connect the two wires provided from the callpoint module to the mounting box terminals as follows:

Positive (+) communication loop : Red wire

Negative (-) communication loop : Black wire

4. Fix callpoint to mounting box taking care that all cables are secure and have sufficient clearance. Locate glass in the front of the callpoint and close cover with front fixing screw.

Note - The yellow plastic 'not in use' plate must be removed and replaced with a glass element before using the callpoint.

Testing

To test the callpoint insert the supplied test key into the slot

156-0843-009



Installation instructions for the M500KAC Addressable Callpoint

General

The M500KAC is designed to be used as a component of a compatible fire control system using System Sensor analogue addressable devices. It is a dedicated addressable callpoint for installation on the two wire communication circuit providing both signalling of alarm to the monitoring control panel and local led indication of activation.

Mounting arrangements

The M500KAC may be installed as either a flush or surface mounted device in a normal internal environment. It is not intended for use in an externally exposed or hazardous location (refer to your supplier for product recommendations should these applications be involved).

Flush: Will fit to standard UK single switch / socket boxes
Surface: A choice of plastic or metal mounting boxes are available.

The plastic mounting box when supplied with the callpoint has included as part of the packing box a tear off template which can be used for locating the cable entry holes.

The metal mounting box has 4x20 mm cable entries, 1 on one face and 3 on the opposite face, each fitted with a moulded blanking plug.

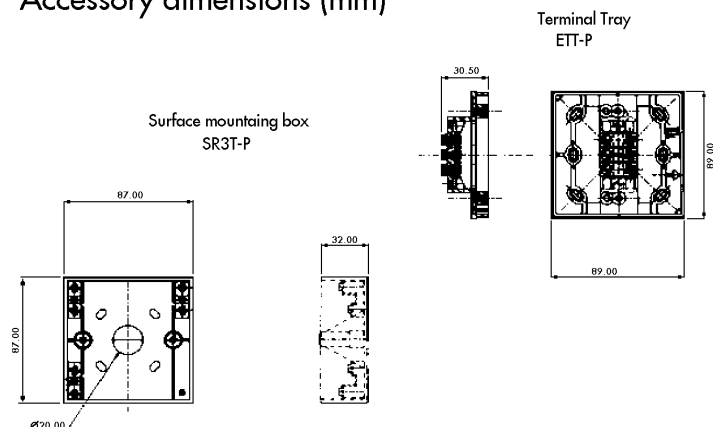
156-0843-009

the right bottom of the callpoint. The glass will drop and simulate operation of the callpoint. To reset the callpoint remove the test key and reset the system from the control panel. **Do not** leave the test key in the callpoint once the commissioning/testing is complete.

Mounting options

The M500KAC may be flush mounted to compatible electrical boxes, however it is advised that the Terminal Tray (ETT-P) is used to effectively terminate field wiring to the callpoint. It is supplied as a separate accessory item complete with its own installation instructions, and may be used with most standard recessed electrical boxes or the SR3T-P surface mount box.

Accessory dimensions (mm)



156-0843-009