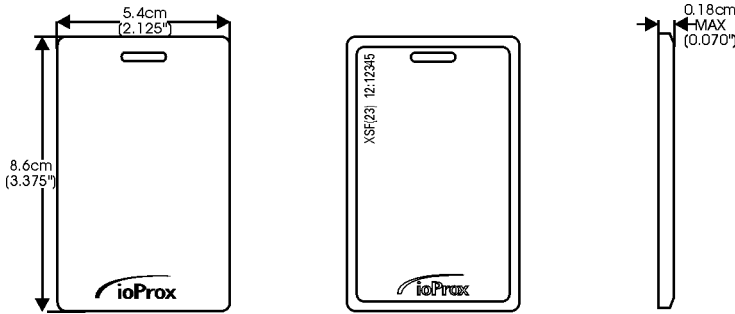
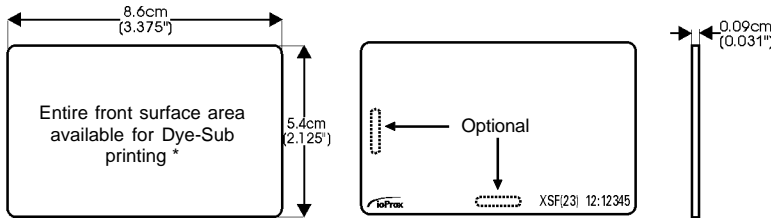


P10SHL IoProx Standard Shell Card



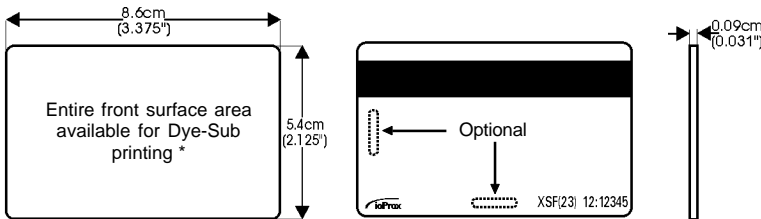
Part # **P10SHL**
 Typical read range
 P100XSF Mini up to 10 cm (4")
 P200XSF Mullion up to 12.5 cm (5")
 P300XSF Single Gang .. up to 14 cm (5.5")
 P400XSF Double Gang . up to 15 cm (6")
 Dimensions (H,W,T) cm .. 8.6 x 5.40 x 0.18
 Dimensions (H,W,T) in. .. 3.375 x 2.125 x 0.070
 Card construction **P10SHL** proximity cards are slot punched and are compatible with most adhesive photo pouches.
 Operating temperatures. -45 °C to 70 °C (-50 °F to 160 °F)
 Color White
 Weight 6.8 g (0.24 oz)
 Certifications UL, CE, FCC

P20DYE IoProx Dye-Sub Card



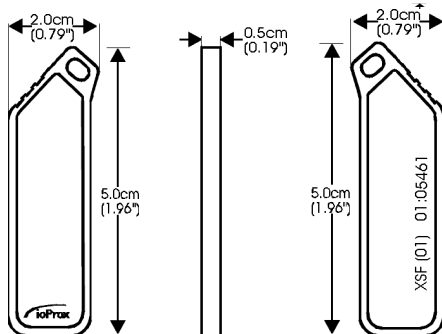
Part # **P20DYE**
 Typical read range
 P100XSF Mini up to 7.5 cm (3")
 P200XSF Mullion up to 9 cm (3.5")
 P300XSF Single Gang .. up to 10 cm (4")
 P400XSF Double Gang . up to 11.5 cm (4.5")
 Dimensions (H,W,T) cm .. 8.6 x 5.4 x 0.079
 Dimensions (H,W,T) in. .. 3.375 x 2.125 x 0.031
 Card construction **P20DYE** cards are thin, flexible polyvinyl chloride laminates.
 Operating temperatures. -45 °C to 70 °C (-50 °F to 160 °F)
 Color Glossy white on both sides
 Weight 6.8 g (0.24 oz)
 Certifications UL, CE, FCC

P30DMG IoProx Dye-Sub Card with Blank Magnetic Stripe



Part # **P30DMG**
 Typical read range
 P100XSF Mini up to 7.5 cm (3")
 P200XSF Mullion up to 9 cm (3.5")
 P300XSF Single Gang .. up to 10 cm (4")
 P400XSF Double Gang . up to 11.5 cm (4.5")
 Dimensions (H,W,T) cm .. 8.6 x 5.4 x 0.079
 Dimensions (H,W,T) in. .. 3.375 x 2.125 x 0.031
 Card construction **P30DMG** multiple technology cards are a thin, flexible laminates with ABA standard three-track magnetic stripe not encoded.
 Operating temperatures. -45 °C to 70 °C (-50 °F to 160 °F)
 Color Glossy white on both sides
 Weight 6.8 g (0.24 oz)
 Certifications UL, CE, FCC

P40KEY IoProx Keytag



Part # **P40KEY**
 Typical read range
 P100XSF Mini up to 3.8 cm (1.5")
 P200XSF Mullion up to 3.8 cm (1.5")
 P300XSF Single Gang .. up to 4.0 cm (1.6")
 P400XSF Double Gang . up to 4.5 cm (1.8")
 Dimensions (H,W,T) cm .. 5.0 x 2.0 x 0.5cm
 Dimensions (H,W,T) in. .. 1.96 x 0.79 x 0.19
 Keytag construction The **P40KEY** package is strong and resistant to cracking and breaking.
 Operating temperatures. -45 °C to 70 °C (-50 °F to 160 °F)
 Color Black
 Weight 5 g (0.18 oz)
 Certifications UL pending, CE, FCC

Security: The readers recognize over 137 billion unique codes. Using Kantech's XSF cards (eXtended Secure Format) provides increased security and absolute guarantee against card duplication.

* Print quality may be affected by the printer or environment cleanliness. Kantech is not responsible for image quality variation.