

KRE-2: Metal Enclosure

The KRE-2 Metal Enclosure

The KRE-2 Metal Enclosure is intended to provide a secure enclosure for the PXL-250 controller. A lock on the enclosure cover ensures that only authorized hands have access to the controller (two keys are provided). Twelve knockouts are spaced around the body of the enclosure providing maximum flexibility for routing cabling into the controller. The enclosure is mounted to any solid surface using four screws.

NOTE: The KRE-2 enclosure is not a sealed, weatherproof enclosure. It is not meant for use in extreme environmental conditions.

Dimensions

- 12.1 inches High x 9.20 inches Wide x 4.5 inches Deep
- 30.73 cm High x 23.37 cm Wide x 11.43 cm Deep

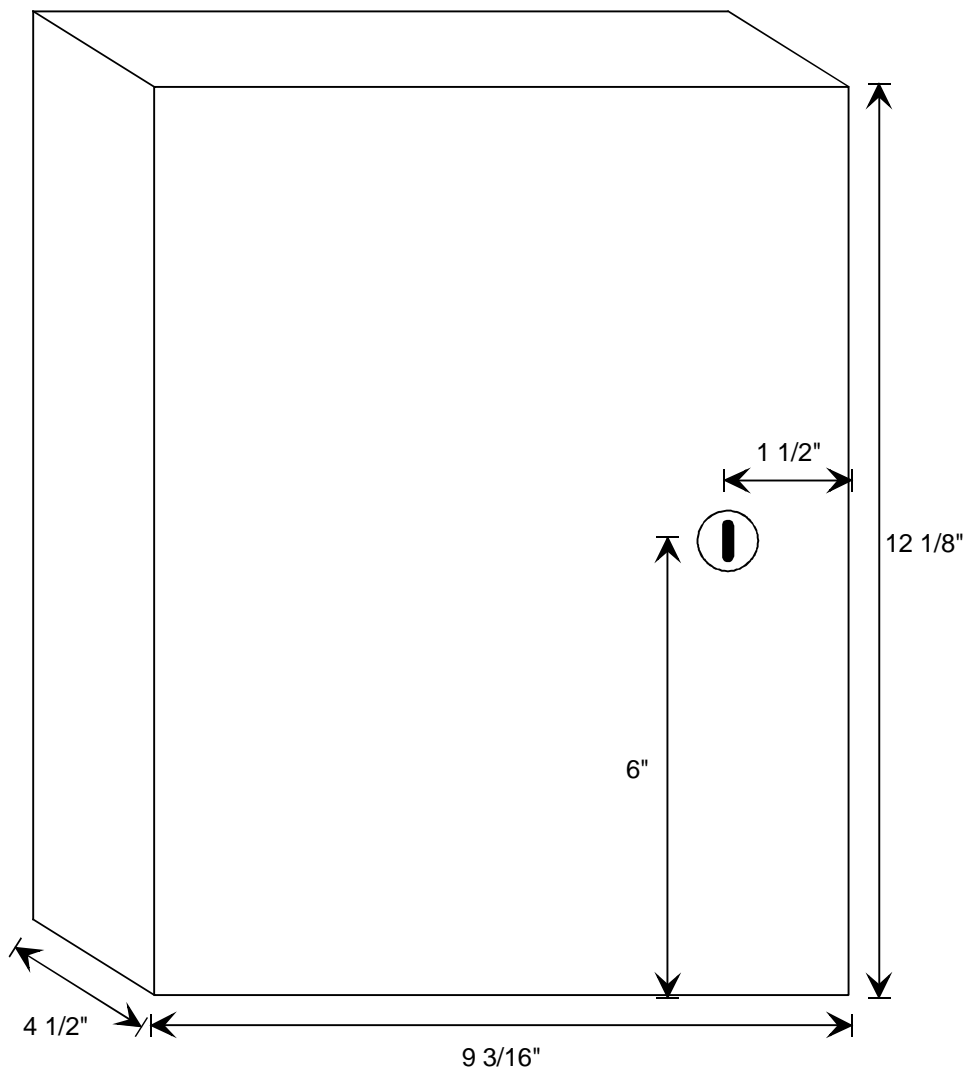


Figure 1 – KRE-2 Dimensions

KRE-2: Metal Enclosure

Enclosure Mounting

The easiest method for marking the location of the mounting holes for drilling is to hold the enclosure against the mounting surface and then use a pencil to mark the mounting hole locations against the surface to which the enclosure is to be mounted. If this is not practical, Figure 2 is a layout drawing of the mounting hole locations.

NOTE: Figure 2 provides the measurements for the mounting hole locations. Figure 2 is not an actual size drawing and cannot be used as a drilling template.

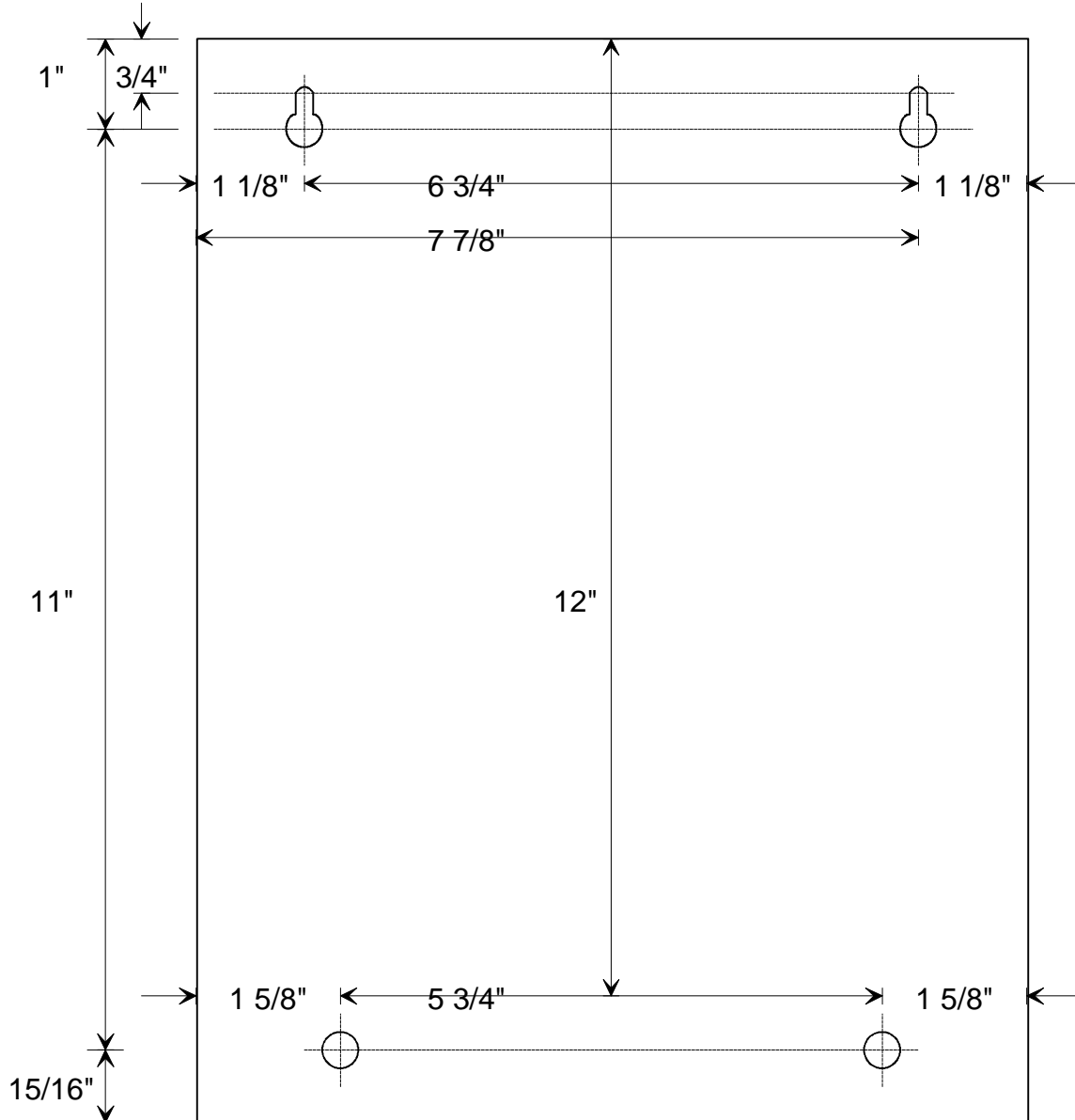


Figure 2 – Enclosure Mounting Holes

KRE-2: Metal Enclosure

Cabling Knockouts

Twelve knockouts are provided for maximum flexibility in routing cables.

Four are on the back of the enclosure. There are two on the top, two on the bottom, two on the left side, and two on the right side of the enclosure.

NOTE: Figure 3 provides the measurements for the knockout locations. Figure 3 is not an actual size drawing and cannot be used as a drilling or routing template.

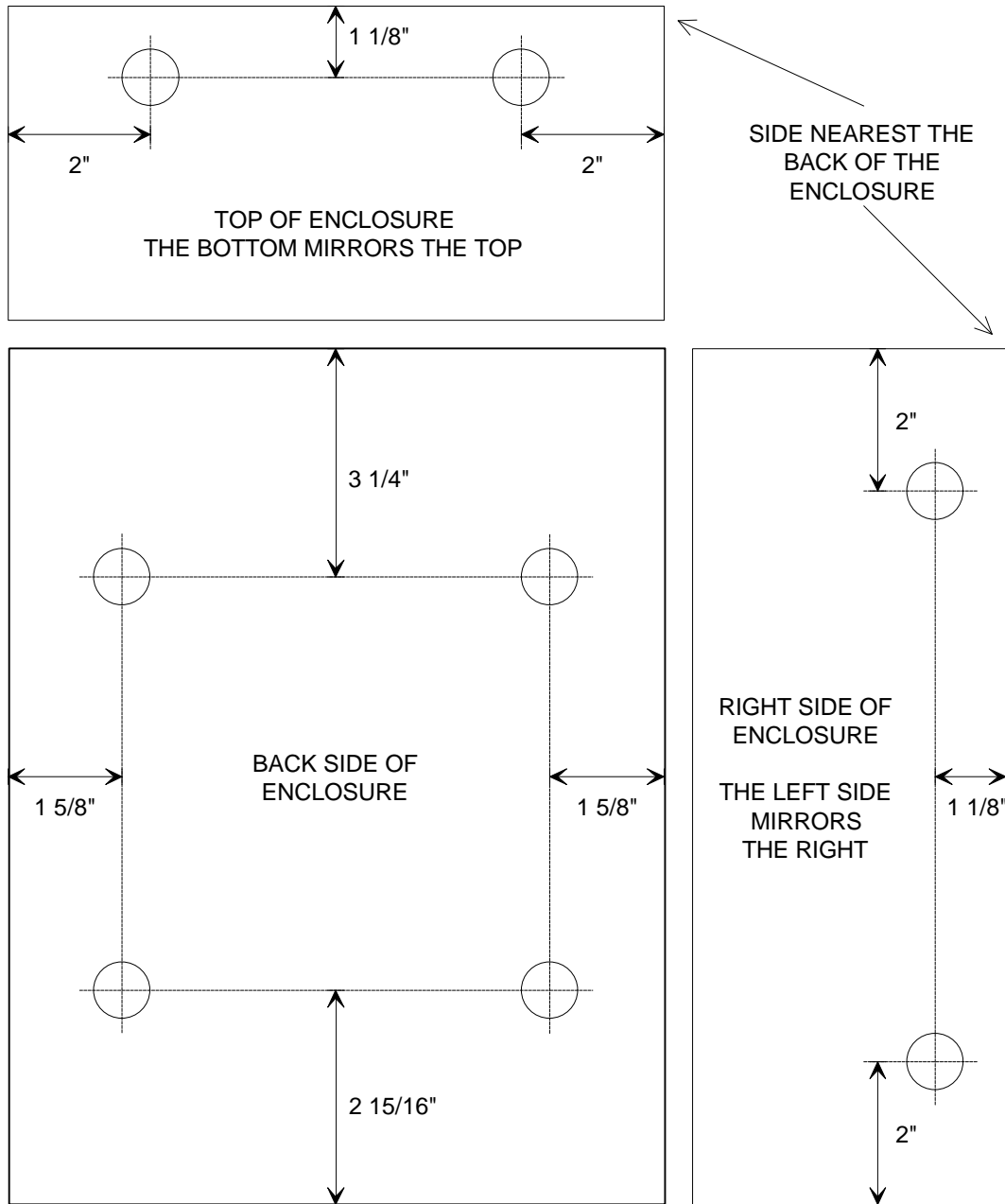


Figure 3 – Enclosure Knockouts

KRE-2: Metal Enclosure

Controller Mounting

Once the enclosure is mounted and the cabling is routed to the enclosure, the controller/base plate assembly is mounted into the enclosure (see Figure 4). There are four standoffs in the back of the enclosure to which the base plate is mounted. Four screws are provided with the enclosure for controller mounting. Simply locate the controller/base plate assembly over the four standoffs and insert the screws.

NOTE: Do not over-tighten the mounting screws as this can damage the controller base plate.

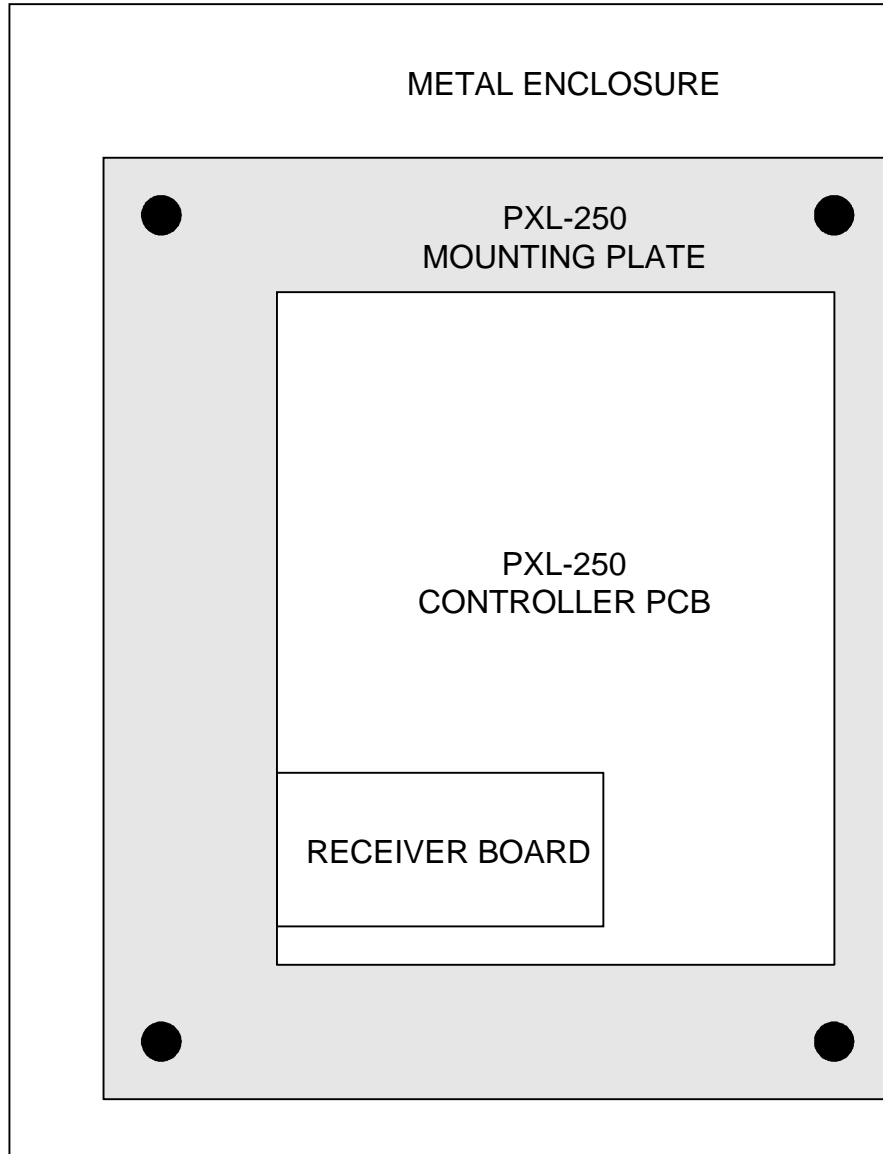


Figure 4 – Mounting the Controller Into the Enclosure