

MAXSYS®

INTEGRATED SYSTEMS TECHNOLOGY

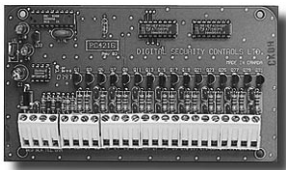
PC4204/4216

OUTPUT MODULES

MAXSYS systems can be expanded to provide up to 64 high current output relays and 144 low power outputs to meet the needs of a wide variety of commercial system applications and designs.

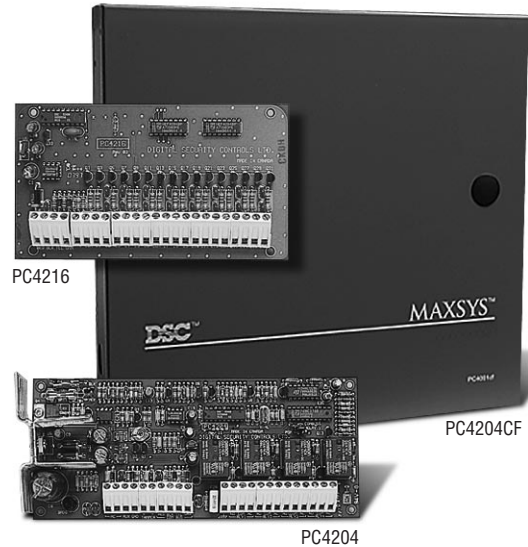
To further enhance the capability of Maxsys to meet large system requirements, the PC4204 and PC4204CF have the additional capability of repowering the Maxsys communications bus (Combus) to provide an expandable supply of power on the Combus wherever and whenever it is required to meet the needs of the system... now and in the future!

PC4216 Low Power Output Module

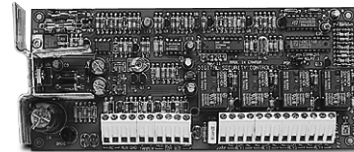


The PC4216 provides programmable low power outputs ideal for powering remote relays and LEDs such as those used in Maxsys PC4632 and PC4664 annunciators :

- each module provides 16 transistor switch outputs supplying up to 50 mA @ 12VDC each
- connect up to 9 modules per system for 144 outputs total
- each output programmable to activate for any of 59 options
- outputs assignable to schedules and partitions
- can be used to power/switch graphic annunciator lights and relays
- connection for external tamper... supervised by system
- connect up to 1,000' (305m) from control panel via COMBUS
- operating environment - 32 to 122°F (0 to 50°C)
- 90% RH non-condensing
- current draw ...15mA (from Combus) *plus* power required by outputs



PC4204 Power Supply/Relay Output Module



The PC4204 is a dual purpose power supply/output module, providing programmable relay outputs for controlling external devices *and* power to repower the Combus... **to provide additional power as required for downstream devices which are powered off of the Combus :**

- includes 4 fully programmable high current relays with Form'C' contacts rated 2A @ 30VDC
- provides 1A @ 12VDC to power direct connected devices or repower the Combus (uses relay #1 when repowering Combus)
- connect up to 16 modules per system for 64 relays total
- each relay programmable to activate for any of 59 options
- complete with supervised battery charger : 12VDC, 350mA charging current for sealed lead-acid rechargeable batteries
- fully supervised for low battery, and aux supply and AC power loss
- connection for external tamper... supervised by system
- connect up to 1,000' (305m) from control panel via COMBUS
- operating environment - 32 to 122°F (0 to 50°C)
- 90% RH non-condensing
- current draw ...30mA (from Combus)

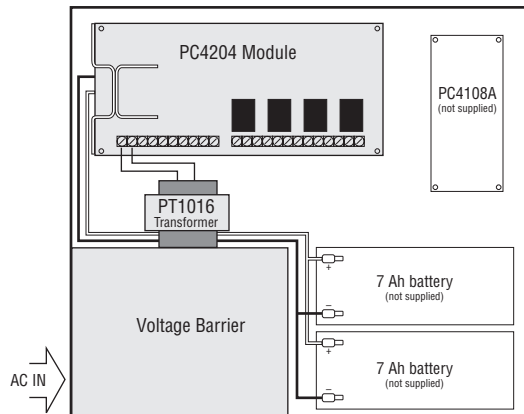
PC4204CF Power Supply/Relay Output Panel

The PC4204CF is a packaged version of the PC4204 meeting the requirements of UL864 for UL listed commercial fire systems. **Note : the PC4204CF is not required in Canada. Use the PC4204 in Canada.**

Supplied in a panel enclosure, the PC4204CF contains a standard PC4204 module, a 350mA battery charger and a 16VAC 40VA transformer, with remaining space for two 7Ah batteries and one PC4108A hardwired zone expansion module.

Note : to comply with UL requirements, the rated capacity of the PC4204CF for repowering the Combus is reduced to 550mA.

PC4204CF Panel



- 4 fully programmable high current Form 'C' relays with contacts rated at 2A @ 30VDC
- provides 550mA @ 12VDC to power direct connected devices or repower the Combus (based on 24 hour standby with two 7Ah batteries) (uses relay #1 when repowering Combus)
- complete with supervised battery charger : 12VDC, 350mA charging current for sealed lead-acid rechargeable batteries
- connect up to 16 modules per system for 64 relays total
- each relay programmable to activate for any of 59 options
- fully supervised for low battery, and aux supply and AC power loss
- connection for external tamper... supervised by system
- connect up to 1,000' (305m) from control panel via COMBUS
- operating environment - 32 to 122°F (0 to 50°C)
- 90% RH non-condensing
- current draw ...30mA (from Combus)
- dimensions ...12"H x 12"W x 4.5"D (30.5 x 30.5 x 11.5cm)

Listings

USA

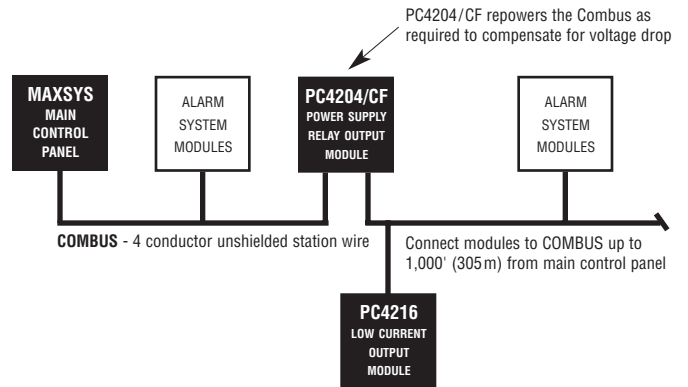
UL864 Control Units System (L, CS, -A, M, SS, WF)*
 UL1610 Central Station Burglar Alarm
 UL609 Local Burglar Alarm
 UL365 Police Station Burglar Alarm
 UL985 Household Fire Warning
 UL1023 Household Burglar Alarm

* PC4204 does not have UL864 listing. For fire installations use the PC4204CF which does have UL864 listing.

CANADA

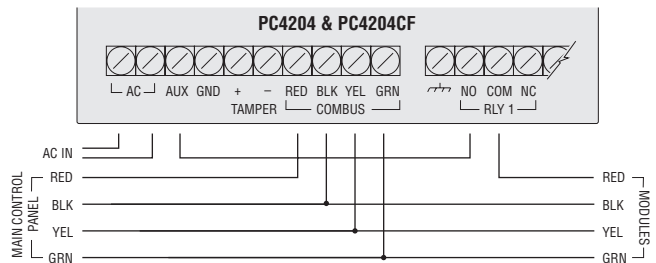
ULC-S527 Central Station Fire Alarm
 ULC-S302 Central & Monitoring Station Burglar Alarm
 ULC-S303 Local Alarm (Commercial Burglary)
 ULC-S310 Household Burglar Alarm
 ULC-S545 Household Fire Warning
 UL294 Access Control

Typical System Arrangement



Repowering the Combus

Up to 16 PC4204/CF's may be installed in the Combus wherever additional power is required downstream of the PC4204 for additional modules and devices powered off of the Combus.



Note : for this option, Jumper J1 must be set for 'Combus Relay'

Ordering Information

- PC4216 16 point low power output module
 PC4204 power supply/relay output module with 4 relay outputs
 PC4204CF power supply/relay output module with 4 relay outputs for fire installations requiring UL864 listing includes :
- PC4052CR red cabinet, 12"H x 12"W x 4.5"D (30.5 x 30.5 x 11.5 cm)
 - PC4204 module
 - PT1016 transformer, 16VAC, 40VA
 - space for *two* 7Ah, 12volt lead-acid batteries
 - space for *one* PC4108A hardwire zone expansion module



Digital Security Controls

Distributed by :