

ProxPro™ Proximity Card Reader

The ProxPro Proximity Card Reader combines all of the electronics usually found in two separate packages into a single, architecturally attractive enclosure that mounts to a standard single-gang electrical box. With its inherently weatherproof design, the reader is easily mounted either indoors or out.

Using advanced surface-mount technology manufacturing techniques, the ProxPro reader offers high reliability, consistent read range characteristics, and low power consumption in a single, easy-to-install package. Standard capabilities include multicolor LED, internal or host control of the LED and/or beeper, and a beeper "off" switch for silent operation.

The ProxPro reader offers Wiegand protocol interface compatibility with all standard access control systems, plus optional RS232 and RS422 serial interfaces. To provide an additional level of security, the ProxPro reader is the first to offer an optional, fully integrated personal identification number keypad, weatherized for outdoor applications.

HID is committed to bringing advanced technology to the radio frequency identification market. The ProxPro reader is a continuing example of this commitment.

5355 Series



Specifications

Typical maximum* read range:

ProxCard® II card	up to 9" (23 cm)
ISOProx® II card	up to 6" (15 cm)
ProxKey™ II keyfob	up to 3" (7.6 cm)
ProxCard® Plus card	up to 3" (7.6 cm)

Dimensions:

5.0" x 5.0" x 1.0"
(12.7 x 12.7 x 2.54 cm)

Material:

Polycarbonate UL 94

Power supply:

10-28.5 VDC
Reverse voltage protection included.
Linear power supplies are recommended.

Current requirements:

Current (DC) All versions:
Average 100 mA
Peak 160 mA

Operating temperature:

-22° to 150° F (-30° to 65° C)

Operating humidity:

0-95% relative humidity noncondensing

Weight:

12 oz. (336 gm)

Transmit frequency:

125 kHz

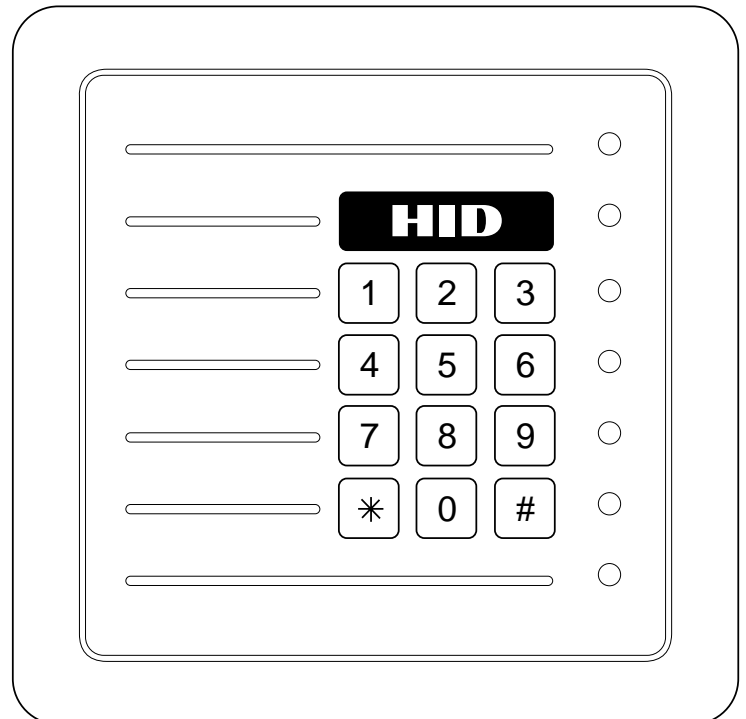
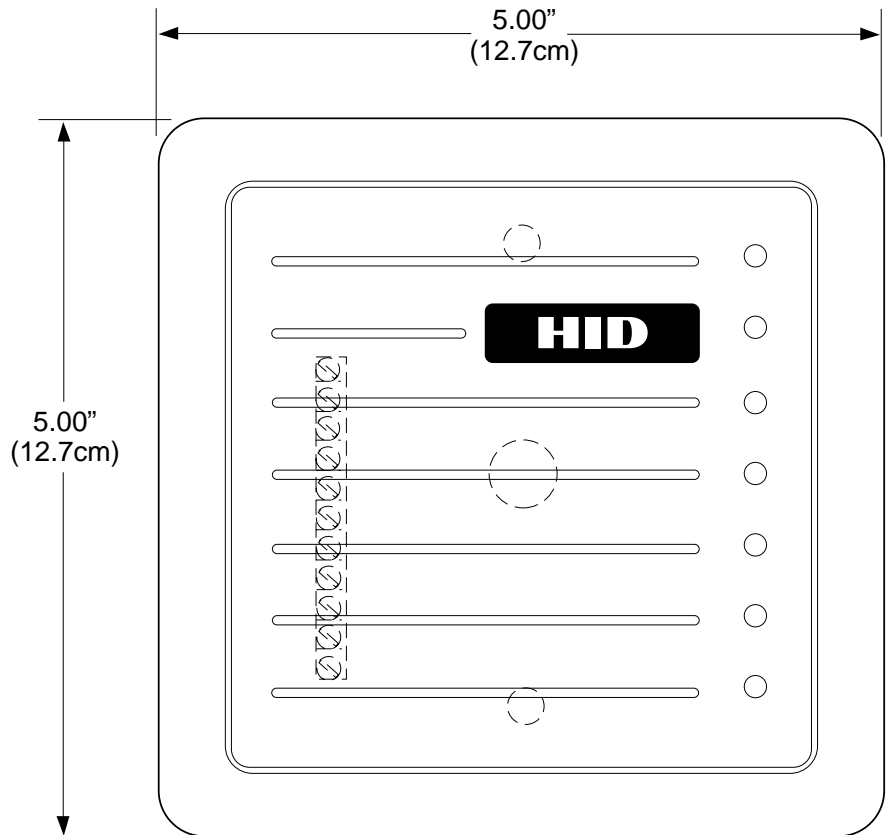
Certifications:

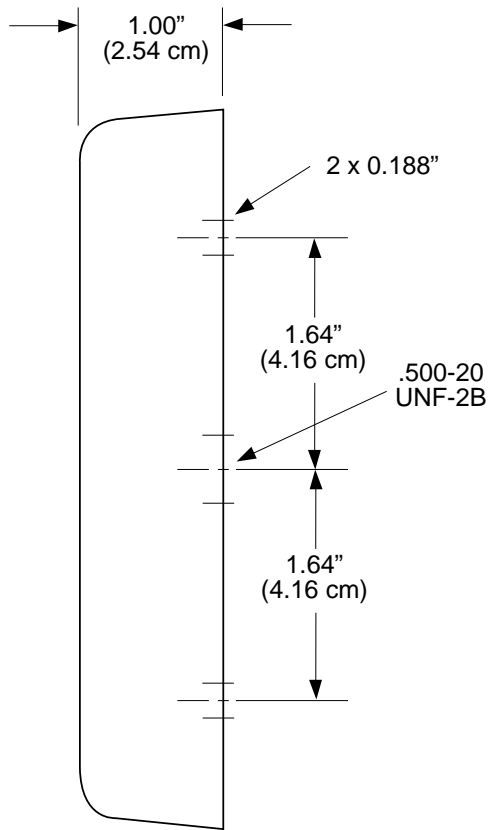
UL 294 listed
FCC part 15, United States
DTI (MPT 1337), United Kingdom
CE Mark approved
BZT pending

Cable distance:

Wiegand interface: 500 feet (150 m)
RS232 interface: 50 feet (15 m)
Recommended cable is ALPHA 1295
(22 AWG) 5 conductor stranded with
overall shield or equivalent. Additional
conductors may be required for LED or
beeper control.

*Depending on local installation conditions.





Terminal Block Connections

1. +DC
2. GROUND
3. DATA 0
4. DATA 1
5. DATA RTN
6. GREEN LED
7. RED LED
8. BEEPER
9. HOLD
10. TAMPER COMMON
11. TAMPER SELECT

Features

Mounting: Mounting holes fit standard U.S.A. single-gang switch boxes (vertically mounted) to simplify installation. When mounted directly to metal, a selectable jumper setting provides for improved performance.

Audiovisual indication: When a proximity card is presented to the reader, the red LED flashes green and the beeper sounds. The multicolor LED and beeper can also be controlled individually by the host system.

Diagnostics: On reader power-up, an internal self-test routine checks and verifies the setup configuration, determines the internal or external control of the LED and beeper, and initializes the reader operation. An additional external loop-back test allows for the reader outputs and inputs to be verified without the use of additional test equipment.

Indoor/outdoor design: The ProxPro reader is sealed in a rugged, weatherized polycarbonate enclosure designed to withstand harsh environments as well as provide a high degree of vandal resistance. This allows the reader to be easily installed in any location, even with the optional keypad.

Easily interfaced: The ProxPro reader interfaces with all existing Wiegand protocol access control systems. ProxPro readers output data in Wiegand format, plus optional RS232 and RS422 serial interfaces.

Security: The ProxPro reader includes a tamper switch to provide electronic notification of reader tampering. The ProxPro reader recognizes over 137 billion unique codes.

Keypad option: The ProxPro reader is the first proximity design available with an optional, integrated, weatherized keypad. The ProxPro reader keypad interfaces with the host system either by sending the keypad data over the data output lines or via a direct connection to the host keypad interface. This offers an additional level of security by allowing the use of a personal identification number (PIN).

Warranty:

ProxPro readers are warranted against defects in materials and workmanship for life from date of shipment. (See complete warranty policy for details.)

Part numbers

ProxPro Proximity Card Reader – *Wiegand Interface*

Base Part No.: **5355**

Description: Wiegand Interface, Tri-State LED, Internal Beeper On

Options:

- Color (Gray or Beige)
- Keypad Operation
- LED and Beeper Operation
- Custom Label

ProxPro Proximity Card Reader – *Serial Interface*

Base Part No.: **5352**

Description: Serial Interface, Tri-State LED, Internal Beeper On

Options:

- Color (Gray or Beige)
- Keypad Operation
- Custom Label

(Please see "How to Order" guide for a description of the options and associated part numbers.)

Specifications subject to change without notice.

LIT5355DS 12/97, supersedes 1/96

Printed in the U.S.A.

© HID Corporation, 1994



9292 Jeronimo Road, Irvine, California 92618-1905 U.S.A.
Tel: (714) 598-1600 (800) 237-7769 Fax: (714) 598-1690
Internet Address: <http://www.prox.com>