

ProxPro Plus™ Proximity Reader

6030 Series



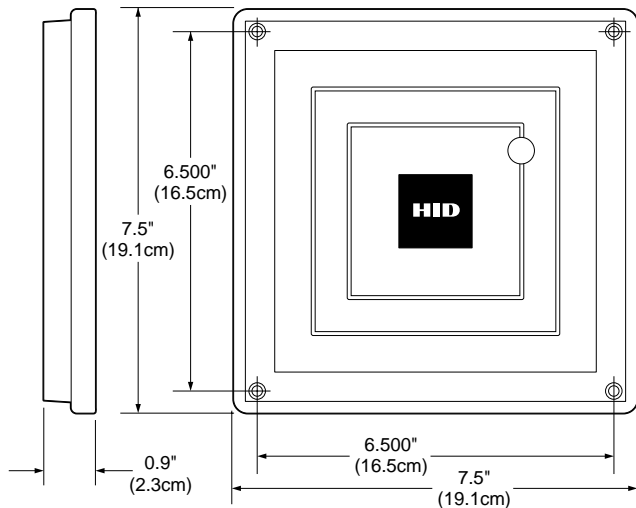
The new ProxPro Plus™ proximity card reader combines the popular features of the ProxPro™ reader with a thin, low-profile housing and new mounting configurations. The ProxPro Plus reader is equipped with your choice of mounting accessory kits for either glass and mullion mounting or surface mounting applications. The ProxPro Plus reader is weatherproofed for use both indoors and out.

Using advanced technology manufacturing techniques, the ProxPro Plus reader offers high reliability, consistent read range characteristics, and low power consumption in a single, easy-to-install package. Standard capabilities include multicolor LED, internal or host control of the LED and/or beeper, and a beeper "off" switch for silent operation.

The ProxPro Plus reader offers Wiegand protocol interface compatibility with all standard access control systems.

The ProxPro Plus reader is another example of HID's commitment to bringing advanced technology to the radio frequency identification market.





Specifications

Typical maximum* read range:

ProxCard® II card	up to 9" (23 cm)
ISOProx® II card	up to 6" (15 cm)
ProxKey™ II keyfob	up to 3" (7.5 cm)
ProxCard® Plus card	up to 3" (7.5 cm)

Dimensions:

7.5" x 7.5" x 0.9"
(19 x 19 x 2.3 cm)

Material:

Polycarbonate UL 94

Power supply:

10-28.5 VDC

United Kingdom: Use 12 VDC only.

Reverse voltage protection included. Linear power supplies are recommended.

Current requirements:

Current (DC)	All versions:
Average	100 mA
Peak	160 mA

Operating temperature:

-22° to 150° F (-30° to 65° C)

Operating humidity:

0-95% relative humidity noncondensing

Weight:

15 oz. (426 gm)

Transmit frequency:

125 kHz

Certifications:

UL 294 pending
FCC part 15, United States
CE Mark approved
BZT pending

Cable distance:

Wiegand interface: 500 feet (150 m)
Recommended cable is ALPHA 1295 (22 AWG) 5 conductor stranded with overall shield or equivalent. Additional conductors may be required for LED or beeper control.

*Depending on local installation conditions.

Features

Mounting: Two versions of the ProxPro Plus Plus reader are available – side connection for glass or mullion mounting, and rear connection for surface mounting. Accessory kits are included for both versions – side connection includes a mounting bracket and double-sided adhesive, and rear connection includes screws for either surface mounting or mounting to a single-gang box.

Audiovisual indication: When a proximity card is presented to the reader, the red LED flashes green and the beeper sounds. The multicolor LED and beeper can be controlled individually by the host system.

Diagnostics: On reader power-up, an internal self-test routine checks and verifies the setup configuration, determines the internal or external control of the LED and beeper, and initializes the reader operation. An additional external loop-back test allows for the reader outputs and inputs to be verified without the use of additional test equipment.

Indoor/outdoor design: The ProxPro Plus reader is sealed in a rugged, weatherized polycarbonate enclosure designed to withstand harsh environments as well as provide a high degree of vandal resistance.

Easily interfaced: The ProxPro Plus reader interfaces with all existing Wiegand protocol access control systems.

Security: The ProxPro Plus reader includes a tamper switch to provide electronic notification of reader tampering. The ProxPro Plus reader recognizes over 137 billion unique codes.

Warranty:

ProxPro Plus readers are warranted against defects in materials and workmanship for life from date of shipment. (See complete warranty policy for details.)

Part numbers

Base Part No.:	6030AGS	Side connect
	6030AGR	Rear connect
Description:	Wiegand Interface, Charcoal Gray, Tri-State LED, Internal Beeper On	
Options:	<ul style="list-style-type: none"> • LED and Beeper Operation • Custom Label 	

(Please see "How to Order" guide for a description of the options and associated part numbers.)

Specifications subject to change without notice.

LIT6030DS 12/97, supersedes 2/97

Printed in the U.S.A.

© HID Corporation, 1996



9292 Jeronimo Road, Irvine, California 92618-1905 U.S.A.
Tel: (714) 598-1600 (800) 237-7769 Fax: (714) 598-1690
Internet Address: <http://www.prox.com>