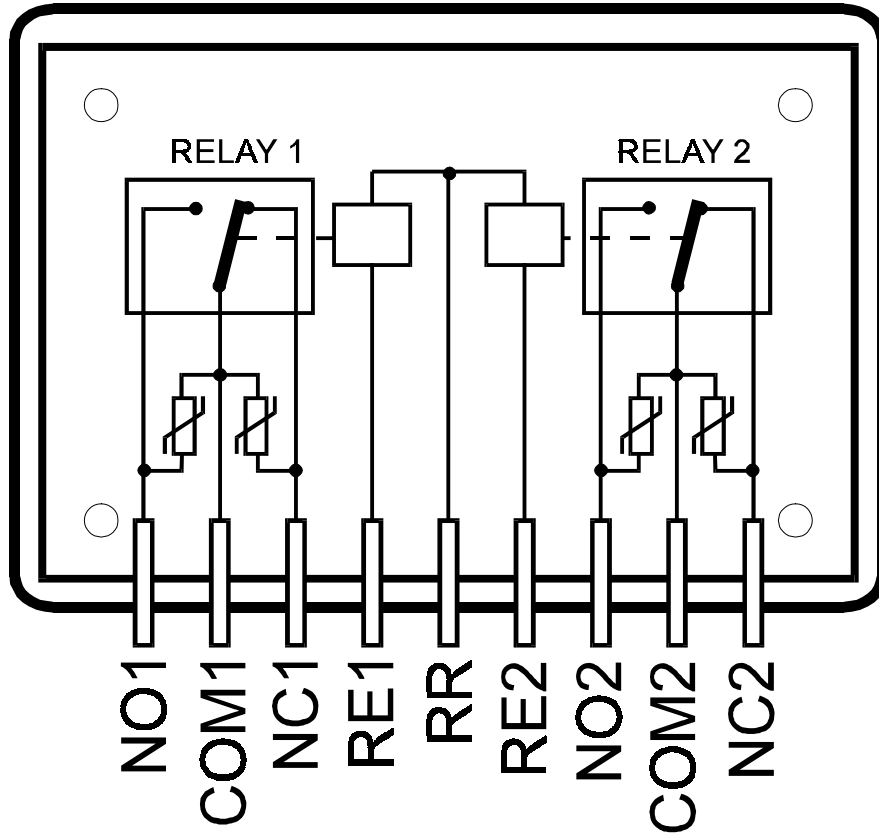


CR-2S RELAY UNIT

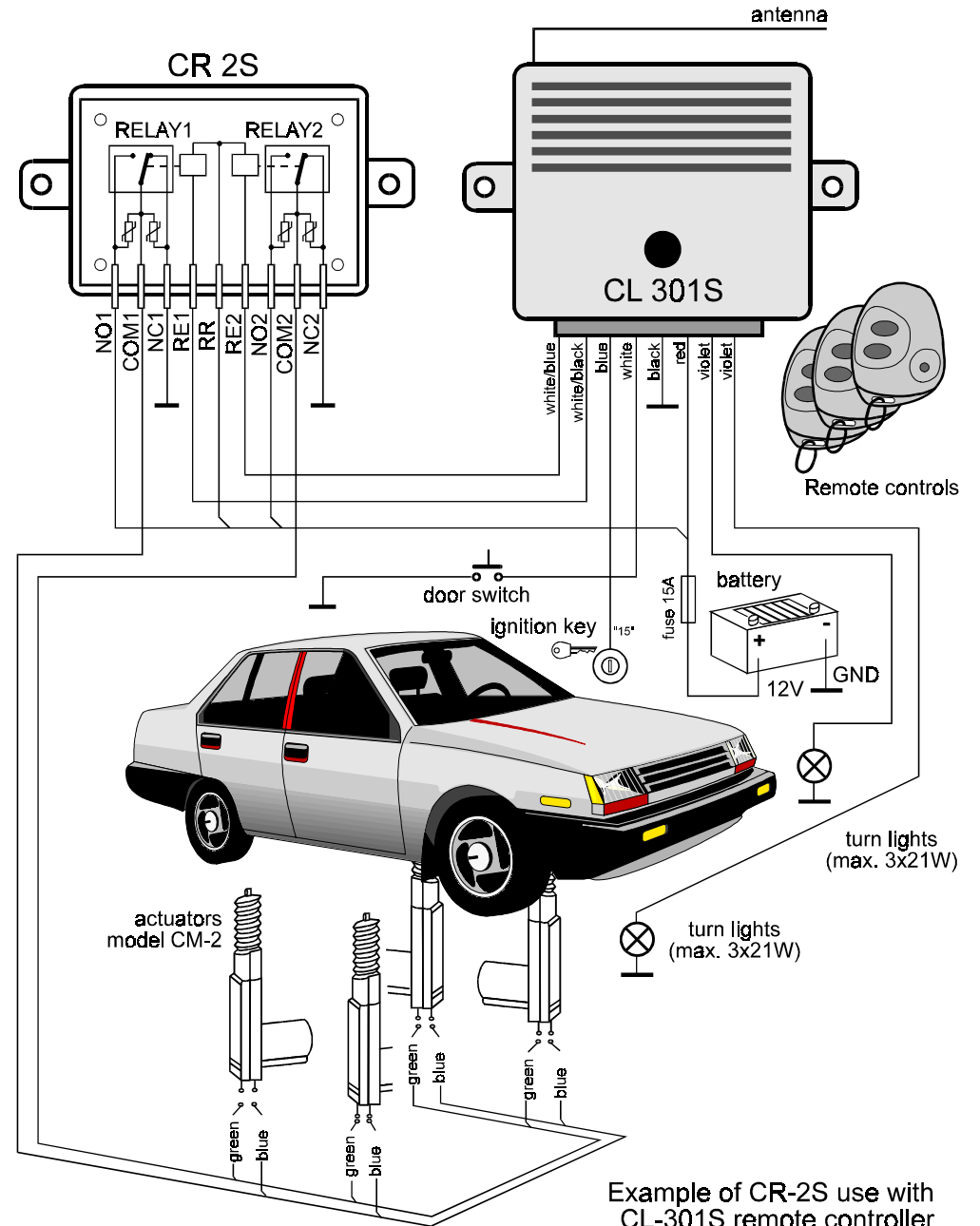
This unit has two built-in overswitching relays. It can be used as additional relay for any purpose in a car. The relay contacts are equipped with pick voltage protection (built-in varistors). The CR-2S unit also includes assortment of crimping connectors. Use only original crimping tools when you insatll them to the wires.



Specifications:

| | |
|---------------------|--|
| voltage | 10 - 16VDC |
| coil's consumption | 80mA/12V each |
| contacts | 10A/15V permanent, max. 15A/15V (pulses 1sec.) |
| varistors voltage | 28V |
| working temperature | -20 to +60°C |

MADE IN CZECH REPUBLIC



Example of CR-2S use with CL-301S remote controller for central locking