

Outdoor siren OS-310 FORTE

The OS-310 FORTE is a high quality outdoor siren combining loud acoustic siren output and a flashing light.

Under weather and UV resistant plastic cover there is an inner steel case providing excellent mechanical protection. The back plate of the siren is made of steel too. All metal parts have got special surface treatment. The device is protected by two magnetic tamper switches.



Specification

voltage	10 -15 V DC
current	1 A
siren	piezoelectric 118 dB

Security Grade 3 (Medium to high risk) according to EN 50131-1

Environmental Class IV - Outdoor - General (-25° to +60°C) according to EN 50131-1

Installation

Remove plastic cover by removing two screws (under plastic caps) with a screwdriver. Then remove internal cover (one screw). Route all cabling into the siren through a hole in the rear part. Hang the siren housing on the top screw and fix it using two other screws.

Connect the wires from control panel to the siren (see examples of connections on the back side). Assemble the siren.

NOTICE :

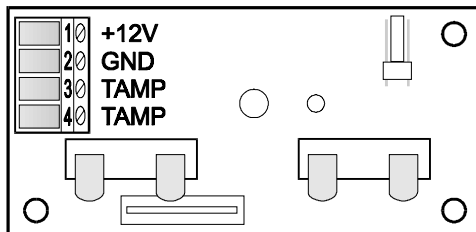
*Do not forget to switch the control panel to the service mode before wiring the siren !
For maximum siren output use cables with sufficient cross section of wires.*

Terminals

TAMP - NC tamper switches output (connect to 24 hour loop)

GND - ground terminal

+12V - power voltage terminal (+10 to 15V)



Operation

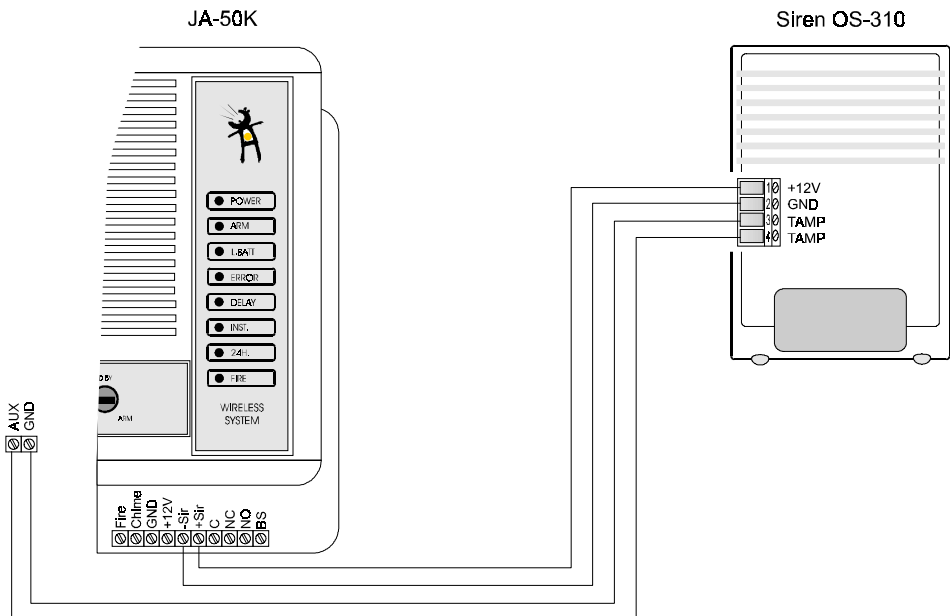
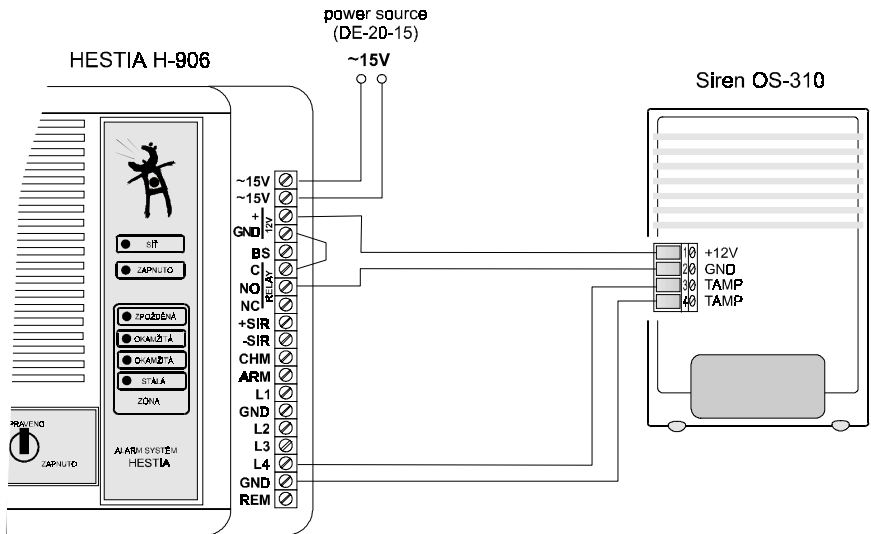
When voltage is applied to +12V input, the piezo siren sounds and flash light flashes.



JABLOTRON
Pod Skalkou 33
Jablonec nad Nisou
Czech Republic
tel.: +420-428-346999
fax.: +420-428-313183
<http://www.jablotron.cz>

Example of use:

Siren OS-310 with alarm control panel HESTIA H-906



Example: Siren OS-310 with wireless alarm system JA-50K