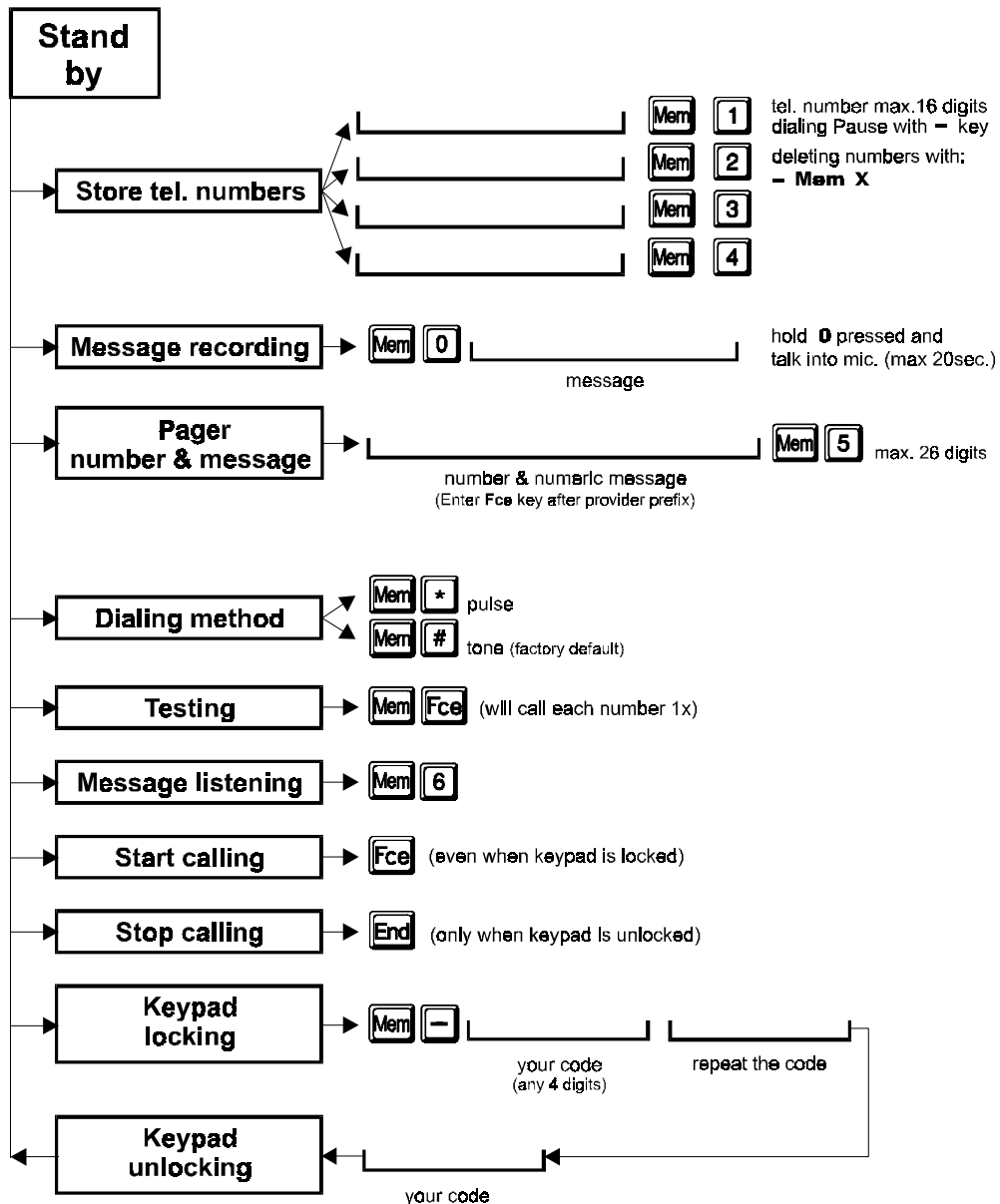


Telephone Dialer TD-110



The TD-110 is an automatic dialing device that transmits a prerecorded voice message to 4 telephone numbers to an ordinary or mobile telephone system. It can also send a numeric message to your Pager.

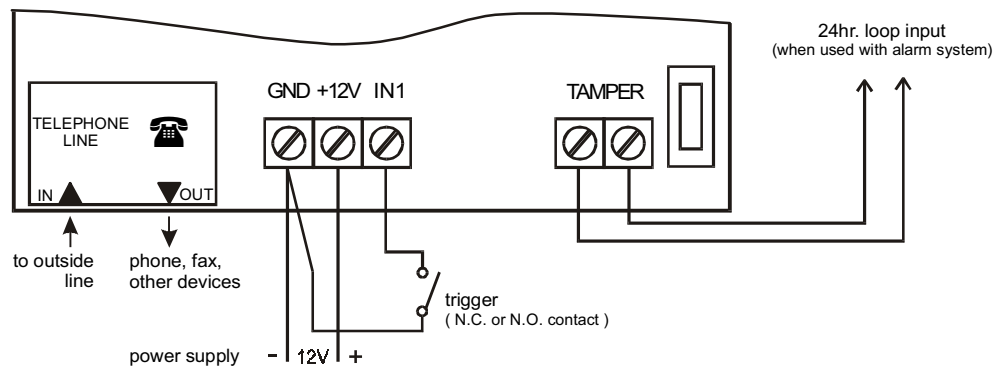
The dialer can be triggered manually or by another device connected to the TD-110 input. The dialer can automatically call for help or to report different events. Its installation and programming is extremely easy relative to traditional dialers.



JABLOTRON s.r.o.
 Pod Skalkou 33
 466 01 Jablonec nad Nisou
<http://www.jablotron.cz>

Installation

Fix the dialer with two screws (spacing 100mm). Partly screw in the top screw and slide its head through the hole located in upper part of the dialer's rear housing. After opening the terminal cover, screw in the second screw. Do not try to open the upper part of TD-110 housing during installation.



Terminals

- IN** - telephone line connection (to outside line)
- OUT** - other devices (phone, fax...), in standby the phone line is running through the dialer
- GND +12V** - external power supply (12VDC, max. 100mA)
- IN1** - trigger input - connecting or disconnecting with the GND will start dialing. Can be operated by Normally Closed or Normally Opened contact.
- TAMPER** - switch - normally closed contact (24hr. loop, when used with an alarm system)

After switching the power supply ON

the dialer will run a self testing program and will then enter stand-by mode (a green LED will light). Enter **Mem 6** to listen to the initial voice message from the factory.

Setting

Store tel. numbers and your own message into the dialer. Setting is possible when the green LED is lit (stand by mode). Data being entering from the keypad is indicated by a red flashing LED. Started programming can be terminated with the **End** key at any time.

- **tel. numbers:** enter the number and store it with **Mem** key followed by the memory number from **1** to **4**. A tel. number can have max. of 16 digits, the area code can be separated with the — key (Pause). A Pause can not be used as a first digit .
- **message recording:** press shortly the **Mem** button then press the **0** key and hold it pressed while talking into the mic. (max. 20sec.), recording is indicated by a lit yellow LED. After releasing the **0** key, the message will play back (playback can be terminated with the **End** key).
- **Pager message:** enter exactly the same sequence of numbers as if you were to dial a pager from an ordinary phone. Then store this sequence with the **Mem 5** (max. 26 digits).

After the Provider Prefix, press the **Fce** key and then enter the numeric message you want sent to the pager. Some Paging systems request other specific codes or pauses inside the dialed number (language selectors etc.), consult your Paging provider for details if you have trouble sending a message to the Pager.

- **deleting numbers:** enter — **Mem x** (x = corresponding memory number from 1 to 5)
- **dialing methods:** enter **Mem *** for pulse dialing, **Mem #** for tone dialing = factory default
- **testing:** enter **Mem Fce** and the dialer will call all programmed numbers once (you will hear the tel. line signals from the built in mini speaker during the test)
- **listening to the message:** enter **Mem 6** to check the recorded voice message
- **keypad locking:** enter **Mem** — and your own customized four digit code (PIN). Repeat the code a second time for confirmation. The yellow LED will turn on and the keypad is blocked against unauthorized use.
- **keypad unlocking:** enter your code (PIN), the green LED will light. If you use the dialer with an alarm system, lock the keypad after each programming.

How the dialer works

the TD-110 will start to work when its input IN1 is triggered or the **Fce** key is pressed (even if the keypad is locked). At first the dialer will switch off all other devices (telephone, fax...), will dial the first number stored in the memory and will play the message. It will then call the additional numbers the same way. The entire cycle is repeated three times. Empty tel. number memories are skipped. Transmitting is indicated by the red LED. If the keypad is unlocked, the **call can be stopped** with the **End** key.

If it does not work as you expected?

- check that you selected the correct dialing method (Pulse or Tone)
- check that there is a signal on the tel. line and that the dialer is powered
- enter your tel. numbers once again and confirm your voice message

Forgot your access code?

If you forgot the code you used to lock the keypad, disconnect power supply for 10 sec. After you reconnect the power enter code 1234 immediately (when the red LED lights). The green LED will light indicating that the keypad is unlocked.

Specifications

operating voltage	10 -14 VDC (adapter D01-12)
consumption	stand by max. 15 mA, dialing max. 100 mA
triggering	connecting or disconnecting of IN1 with GND, or pressing Fce key
telephone line	electrically separated, built in over voltage protection
dialing method	pulse or tone (factory default = tone)
tel. num. memories	4× 16 digits (Mem1 to Mem4) for voice message sending 1× 26 digits (Mem5) for Pager numeric message sending
voice mess. duration	max. 20sec., record is repeated for 40sec. during sending
number of calls	when triggered, each programmed number is called 3 times
for indoor use only, working temperature from -10 to +40°C	
complies with TBR-21 standard	