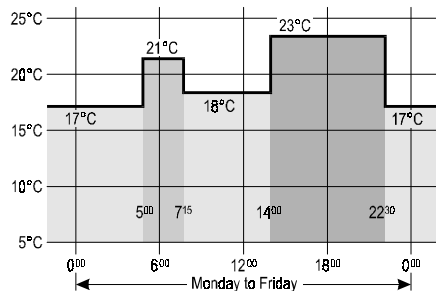


Temperatures corresponding to „A“



Use this table for your own data

Program number	Start	°C
1. Monday to Friday		
2. Monday to Friday		
3. Monday to Friday		
4. Monday to Friday		
1. Saturday & Sunday		
2. Saturday & Sunday		

Temperature span adjustment

The factory set temperature span is 1°C. For example, if the temperature set point is 20°C, the heating system will turn on at 19.5°C and turn off at 20.5°C.

The span is programmable. You can choose between 0.5, 1.0, 1.5 and 2.0°C.

To review or to change the temperature span :

1. Press PROG key while the RETURN key is pressed.
2. Release both keys.
3. Press the or buttons to select the new temperature span.
4. Press the RETURN key or wait 10 seconds for the automatic return.

Note : Choosing a small temperature span such as 0.5°C will be more comfortable (less temperature variation in the apartment) but, the heating system will turn on and off more often.

New thermostat learning into the receiver unit

The receiver unit, which is included in the set, has been factory adjusted for the thermostat code. If you change the thermostat for a new one, the receiver unit must be taught its code in the following way:

1. Remove the batteries from the thermostat
2. Open the upper cover from the receiver unit
3. Press the button inside the receiver several times until the 4th LED flashes
4. Place the batteries into the thermostat and all LEDs in the receiver will flash once
5. Reinstall the receiver cover

Note: Each receiver can work with only one thermostat. If you pressed learning button on the receiver accidentally, press it repeatedly while any LED's flashing to leave the learning mode.

Specifications

Thermostat unit : Power 2x AA battery (low battery indication)
 Temperature Control Range from +5°C to +27°C
 Switching span selectable from +0,5°C to +2°C
 Temperature programs 4 in weekday, 2 in weekend
 Working frequency 433.92 MHz
 Working distance up to 100m (open area)
 Coding digital, each unit has its unique code
 Approvals I-ETS and CE mark

Receiver unit : Power 230V, 50Hz (110V, 60Hz optional)
 Output relay dry contact max. 250V, 6.3A (built in fuse)
 Working frequency 433.92 MHz
 Coding digital, learning mode
 Approvals I-ETS, TUV and CE mark

The thermostat set is designed for indoor-general environments.



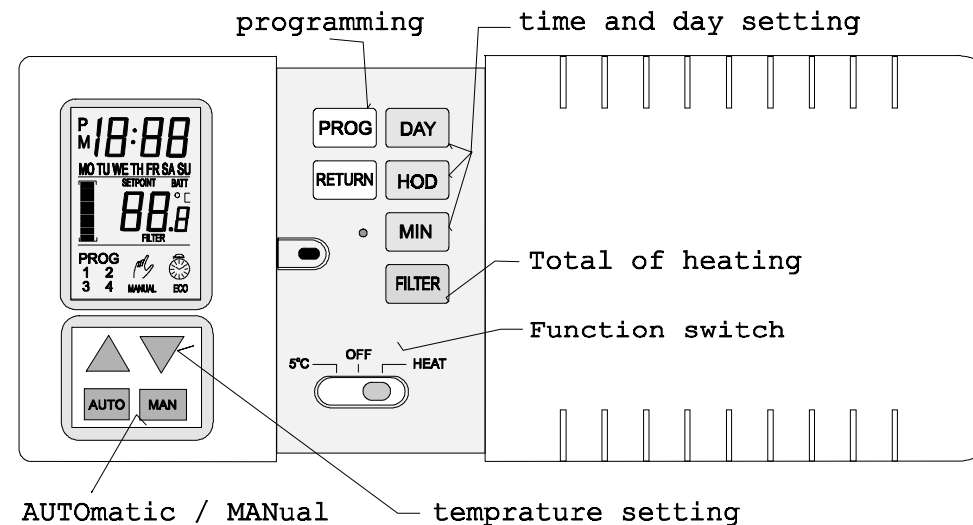
JABLOTRON Ltd.

Czech Republic
<http://www.jablotron.cz>
 E-mail : prodej@jablotron.cz

TP-51 INSTRUCTIONS

The TP-51 wireless thermostat can replace most common residential thermostats and is designed to be used with electric, gas or oil heating. Many useful functions and operating modes have been incorporated to provide a variety of solutions for all customer needs. In addition to all of the useful functions, this state of the art programmable thermostat has the following advantages:

- simple installation: no wires required, long working distance
- 7 day timer to set the ECONO mode during a prolonged absence of the user.
- protection against freezing.
- Air filter (cleaning) supervision.
- programmable regulation sensibility (SPAN)



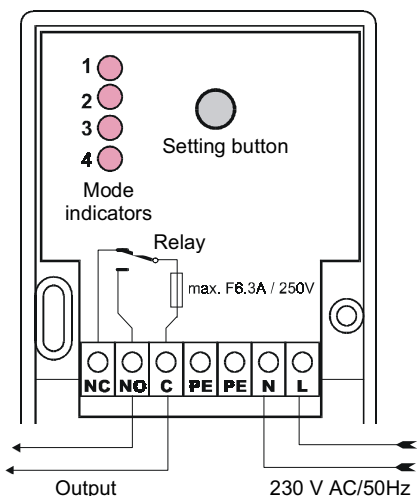
Installation

Choosing a location for the thermostat unit - choose a mounting location about 1.5 meter above the floor in an area with good air circulation and away from:

1. Drafts and "dead air" spots.
2. Radiant heat from the sun or appliances.
3. Concealed pipes and chimneys.

Mounting the thermostat unit onto the wall:

1. Remove completely the slide door of the thermostat.
2. Mark the holes position
3. Drill two holes and insert the plastic anchors carefully into the holes.
4. Fasten the thermostat to the wall with the two (2) screws - included
5. Install two "AA" size alkaline batteries into the battery compartment.



Mounting the receiver unit

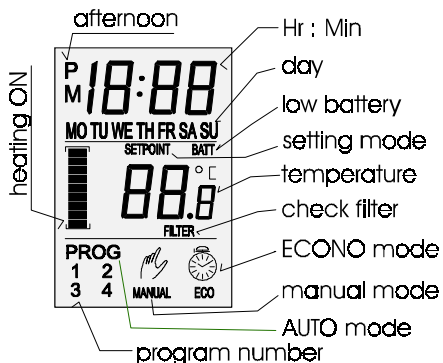
Locate the receiver unit in a suitable place near the heater. Wiring of the unit to the heater should be done by a professional electrician:

1. Release the upper cover by pressing the plastic log on the side of housing.
2. Release the internal cover (1 screw).
3. Mount the unit onto desired location (2 screws).
4. Connect power 230VAC / 50Hz to terminals L and N.
5. Two PE terminals are available for Protective Earth connection.
6. Terminals C (common), N.O. (normally open) and N.C. (normally closed) are outputs of the built in over-switching relay contact. This contact is protected by a 6.3A fuse. The contacts are galvanically separated. See example of wiring in the picture.
7. When wiring is finished, install both covers back on to the unit. The short white wire going from the unit is an antenna. Never cut

this wire, nor remove insulation from the antenna.

Note: Each thermostat has its unique code. The receiver unit has been factory adjusted for this code. There is no need to adjust anything on the receiver.

A built in indicator on the receiver unit indicates the output relay condition.



First power-up of the thermostat

Your thermostat uses two „AA“ size alkaline batteries to operate. When the display is shows "BATT", you should replace the two batteries.

When power is applied for the first time, the display will show the time and day (MO 12:00) as well as the ambient temperature.

Operating modes

The thermostat has three (3) operating modes : **AUTO**matic, **MAN**ual and **TIMER ECONO**.

AUTO : The AUTOmatic mode keeps temperature according the recorded programs.

- Press on the AUTO button. The "PROG" icon and the running program will be displayed.
- Pressing or button displays the temperature set point of the running program for five seconds.

MAN : The MANual mode allows the user to bypass the programming

- Press on the MAN button and a hand symbol will be displayed.
- A first pressing on or displays the MAN temperature set point.
- Each subsequent pressing will change the MAN temperature set point by 0.5°C

TIMER ECONO : The TIMER ECONO mode holds the ECONO temperature set point until the user's predetermined time and day is reached. Then, the thermostat turns to AUTOmatic mode. This operating mode allows the user to not reprogram his thermostat for a prolonged absence (up to one week) and allows for maximum savings.

To get into this operating mode :

- press and hold MAN button for three (3) seconds.
- The clock symbol, the return time and the ECONO temperature set point will be displayed.
- Press DAY, HOUR and MIN keys to specify the return time.
- Press or button to specify the ECONO temperature set point.

Function switch

This switch selects the functions **HEAT**, **OFF** and **5°C**.

HEAT : Select this position to control the heating system. In AUTO mode the thermostat refers to the user programmed data to control the temperature.

OFF : This function switches off the heating system.

5°C : This function holds the temperature set point at 5°C (heating) in order to prevent freezing.

FILTER button : The thermostat keeps a record of the number of hours your filter has been used. It will display the total number of hours the system has been ON. After 250 hours of system operation, the FILTER indicator will begin flashing in order to remind you to change or clean the filter and to reset the filter counter back to zero. The filter counter will count up to a maximum of 999 hours and stays there until you reset it again. **To reset the counter**, press and hold the FILTER key until the display shows 000.

Programming

The thermostat has an automatic return function. When a function, such as the program recording filter review etc., has not been completed by pressing the RETURN key, the thermostat will automatically exit those functions after five (5) seconds.

Time and day adjustment

Any time in the normal mode setting, press DAY HOUR and MIN keys to set the time and day.

Pre-recorded programs

This thermostat has four (4) pre-programmed heating programs for weekdays and two (2) for weekends. You can modify them at your convenience.

Programming Method :

- Place the function switch to the HEAT position
- Press the PROG key. The display shows the program's starting time and temperature setpoint. The Monday to Friday indicator will turn on indicating that this program is associated to the days of the week. The program number 1 will flash indicating the selected program. Pressing again the PROG key will allow you to scroll through the weekday programs 1 to 4 and weekend programs 1 and 2.
- Select the program to be modified using the PROG key.
- Press the HOUR and MIN keys to modify the program's starting time and the or buttons to modify the program's temperature set point.
- Press the RETURN key or wait 10 seconds for the automatic return.

Programming examples

Example „A“ use of all programs

Program number	Start	°C
1. Monday to Friday	5.00	21
2. Monday to Friday	7.15	18
3. Monday to Friday	PM 2.00	23
4. Monday to Friday	PM 10.30	17
1. Saturd. & Sunday	7.00	22
2. Saturd. & Sunday	PM 11.00	17

Example „B“ use of only some programs

Program number	Start	°C
1. Monday to Friday	7.00	21.5
2. Monday to Friday	PM 5.30	18
3. Monday to Friday	PM 5.30	= previous
4. Monday to Friday	PM 5.30	= previous
1. Saturd. & Sunday	12.00	17
2. Saturd. & Sunday	12:00	= previous