

Universal Wireless Controller UC-200

Description:

Install this handy device anywhere that remote control ability is desired. Use it for controlling standard alarm systems, triggering PANIC alarms in dangerous situations, lighting control, garage door opener, remote chime, etc. etc.

There is only one button on the keyring transmitter. The receiver has a relay contact output. It can operate in one of four modes: on/off, momentary, panic, on/off/panic. See MODE description for more details.

A built in buzzer confirms the function of controller. A signal for the external buzzer is also available on the output "OUT" terminal. The receiver unit can be taught the code from the transmitter(s) and the communication codes are stored in non-voltage memory. It will not be erased in the case of a power failure.

Each receiver can be taught up to 10 remote controls. Wireless keypad JA-50D can also be taught to the receiver memory, allowing you to operate the controller by a digital access code. The basic set UC-200/1 consists of one transmitter and one receiver. More transmitters can be ordered separately by using item number TX-100. Each remote control has a unique factory set code.

Specifications:

Operating Voltage:

transmitter : 12V battery
receiver : 10 to 16V DC

Operating Frequency: 433.92 MHz

Digital code: 2²⁷ combinations

Output Relay: NO & NC

rating 1A at 60 V
rated 500 mA
at 24 VDC

Ext. Buzzer OUT:

0.5 A at 60 V

Tamper Switch:

Up to 40meters

Operating Radius:

(open area)

Installation:

Open the cover of the receiver unit by pressing the lock on the top of the unit. Remove the screw in the center of the PCB and remove the PCB from the housing. Route the wires through the large hole in the bottom of the rear housing. Attach the housing to the desired place using screws. Replace the PCB into the housing.

Terminal description:

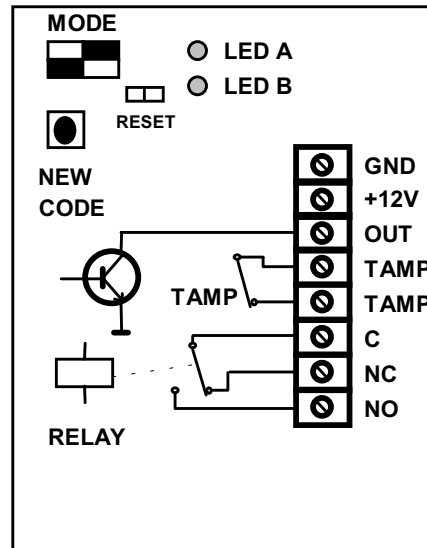
C, NC, NO - output relay dry contacts.

TAMP - tamper switch output, contacts closed if UC-200 closed.

OUT - external confirmation of function (NPN transistor to GND)

+12V, GND - power voltage

Check all connections before you switch ON power.



MODE setting:

Desired MODE can be set by using the jumpers in the upper left corner.

MODE description:



ON/OFF - Pressing the remote control button in this mode closes the relay contacts. The contacts will remain closed until the button is pressed again. A built in buzzer confirms the change in the condition of the relay (- ON, - - OFF). The yellow LED lights when the relay is closed. The "OUT" output is active when the built in buzzer sounds.



MOMENTARY - Pressing the remote control button in this mode closes the receiver's relay contact until the button is released again. The yellow LED and buzzer flash to confirm the relay triggering. The "OUT" output is active while the built in buzzer sounds.

Note: the remote control can transmit only 6 seconds as maximum.



PANIC - In this mode, the remote control button must be pressed and hold for three seconds to close the relay contacts. In such a case, the relay will stay closed for 6 seconds. During this period the built in buzzer and "OUT" output confirm that the relay was triggered. This mode is useful to avoid a false alarm in the case that the remote control button was pressed accidentally.



ON/OFF/ PANIC - Each short pressing of remote control button changes the relay output (ON/OFF function). If the button is pressed for more than 3seconds, the "OUT" output is switched to GND for 6 seconds (PANIC function). Functions are confirmed by the built in buzzer and the LEDs only in this mode .

Note: Every time when you change the MODE you have to RESET the unit. To do this, the reset pins have to be connected to each other for a moment. The desired MODE is stored in non voltage memory during the RESET.

Control code setting:

The UC-200 receiver unit can be controlled by up to ten remote controls with different codes. The remote wireless keypad model JA-50D can also be used as a remote control. From the point of view of communication, the keypad is similar to a remote control. When you enter your access code on this keypad, it will work the same way as if you have pressed the remote control button.

Setting procedure:

Prepare all remote controls (max. 10) which will be used to communicate with the receiver unit. Press the button marked "NEW CODE" inside the receiver unit for a moment. The built in buzzer will sound continuously, confirming that you have entered the "learning mode". Press the button of one remote control for about 1 second (or enter access code on JA-50D keypad). The receiver confirms the code learning with a pause in the buzzer sound. When the buzzer starts to sound again, press the button on the next remote control and so on. Remember that you can teach your receiver unit only 10 different codes. If you attempt to teach the eleventh code, the first code you taught will be erased and so on. To leave the "LEARN CODE" mode, press the "LEARN CODE" button inside the receiver unit again. You can check the function of all controls now.

NOTE: If you activated only one remote control during "learning mode", you can operate the receiver unit only with this one control. All previous control codes are forgotten. If you activate one remote control during "learning mode" two or more times, nothing will happen; the receiver unit can recognize that it has learned this code before and it will ignore it. The control codes are stored in the non-voltage memory, so the receiver unit will remember them even if the power is disconnected.

MADE IN CZECH REPUBLIC