

Wireless Control Receiver UC-220

Description

The UC-220 unit is powered by 230 V AC. Its output relay contact operates up to 230VAC. Up to 10 remote controls (RC-10) can be taught to the unit. There are four different operating modes available for each remote control.

Specifications:

Operating voltage: 230 VAC, 50 Hz (110VAC optional)

Power consumption: 1.5 W

Operating frequency: 433.92 MHz

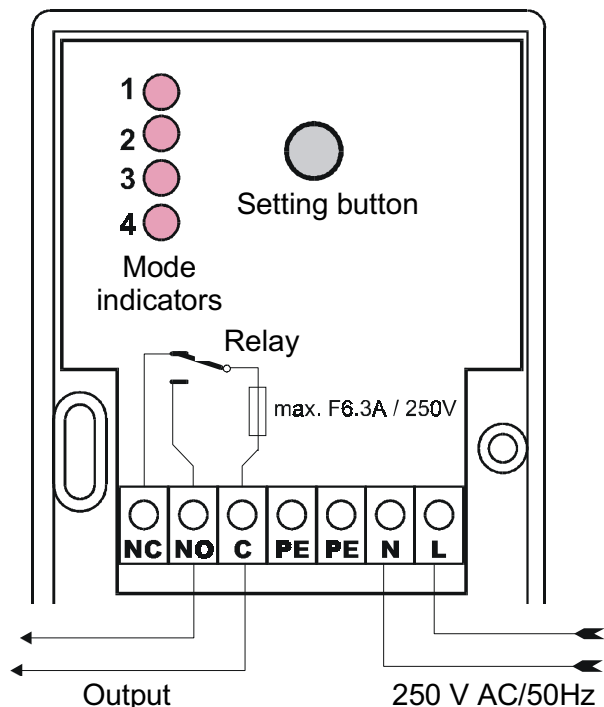
Coding: digital, each remote control has a unique floating code

Output relay: over switching dry contact fused up to 6A up to 250 V

Working range: up to 30 meters (open area)

Installation:

Open the external cover of the unit by pressing the lock on the top. Unscrew the center screw of the internal safety cover and remove the cover. Route wires through the hole in the bottom of the rear housing. Attach the housing to the desired place using screws. Replace the internal cover.



Terminal description:

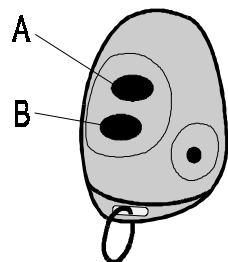
NC, NO, C - relay contact (limited current with fuse up to 6A)

PE - pair of terminals connected together (Protective Earth)

N, L - power voltage 230V / 50Hz

Setting

Remote controls enrolling - you can teach up to 10 different RC-10 remote controls to the UC-220 unit. There are two buttons on each RC-10 (A and B), enabling each remote control to send three different commands by pressing buttons A, B or A & B simultaneously.



There is a setting button on the internal cover of the UC-220 and four LED indicators. By pressing this setting button you can scroll through the four learning (operating) modes (1 to 4) indicated by a corresponding flashing indicator.

By pressing a button on the remote control while a desired UC-220 learning mode is selected, you teach that button to the receiver's memory. The corresponding operating mode will now be associated to this remote control button.

Operating (learning) modes available

	MODE	reaction of the UC-220 when RC button pressed	which RC -10 button can be taught
1	short pulse	relay will turn on for 1 second	A, B, A&B
2	long pulse	relay will turn on for 2 minutes	A, B, A&B
3	latch	relay status will change to the opposite (ON/OFF/ON...)	A, B, A&B
4	ON - OFF	button A will turn relay on, button B turn relay off	A

Setting remarks

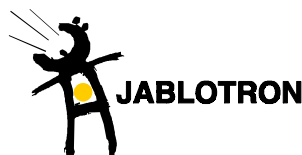
- new RC buttons are added to already taught ones
- after 10 RCs are taught, no other can be added
- if one button is taught for multiple modes, only the last taught mode will remain in the UC-220 memory
- you can combine different modes for different RC buttons
- selected setting mode will close after a RC button is taught, or automatically after 10 seconds

Erasing remote controls from the memory

All taught remote controls can be erased from the UC-220 memory. Open the external cover and use the setting button to enter the 4th setting mode. Then press the setting button and hold it until all indicators flash for a moment. All remote controls will now be erased.

Operation remarks

- Every time you press a RC button taught to a pulse mode, a new time period will start.
- A remote control taught to the UC-220 can also be used for other devices. For example: the remote control of Jablotron's car alarm, Accent, can not only operate your car with buttons A and B, but can also control a garage door opener if the simultaneous pushing of A&B buttons has been taught to a UC-220 controller.



JABLOTRON Ltd.

Pod Skalkou 33
Jablonec n.N.
Czech Republic
tel.: +420-428-346911
fax.: +420-428-313183
e-mail: export@jablotron.cz
Internet: http://www.jablotron.cz

466 01

tel.: +420-428-346911
fax.: +420-428-313183
e-mail: export@jablotron.cz
Internet: http://www.jablotron.cz